

Parts Catalog

Armadillo 6X

Models: Gasoline, Lpg & Diesel



PREFACE

Thank you for your purchase of the now industry standard for sweepers. PowerBoss takes great pride in offering the most dependable, reliable and best value in industrial power sweepers and sweeper / scrubbers. We set the standard.

Our Publishing Department would like to hear from you. If you see any errors, omissions or something that needs clarification in this Spare Parts Catalog please let us know. We are working hard toward perfection in our corner of the process to bring you the best you can buy. Please copy the form below, fill out and comment on how you found our catalog.

Thank you.

*Name _____

*Title: _____

*Company Name: _____

*Address: _____

*Country: _____

Type of equipment or model number: _____

Comments:

*Information is optional.

Please return to:

Manager, Publishing Department, International
PowerBoss, Inc.
175 Anderson Street
Aberdeen, North Carolina 28315 USA

Phone (800) 982-7141 Toll Free

(910) 944-2105 Local

E-Mail - techsupport@powerboss.com

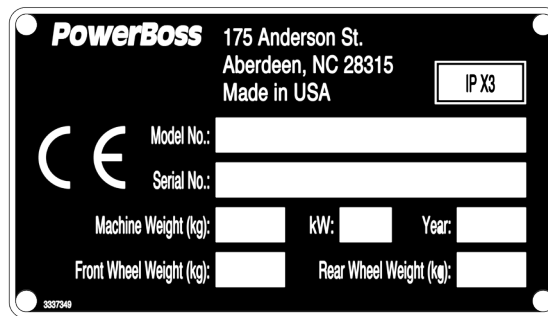
This is the Spare Parts Catalog for the PowerBoss Armadillo 6X Gas, LP and Diesel. The machine will provide excellent service for many years. However, the best results will be obtained if:

- The machine is operated with reasonable care.
- The machine is maintained regularly per the maintenance schedule provided in the User Manual.
- The machine is maintained with PowerBoss Inc. supplied or equivalent parts.

All right side and left side references to the machine (except for engine) are determined by facing the direction of forward travel. The front of the engine or engine fan faces the rear of the machine. Some hardware considered to be common or locally available has been omitted from the parts section to make this manual clear. Be sure to use equivalent hardware when replacement becomes necessary.

The Model and Serial Number of your machine is shown on the I.D. name plate. This information is needed when contacting Technical Support or when ordering parts. The I.D. plate is mounted on the console of the machine left of the operator. Adjacent the main broom adjustment access door.

Example I.D Plate;



Parts may be ordered by phone, fax or e-mail from any PowerBoss parts and service center. Before ordering parts or supplies, be sure to have your machine model number and serial number handy. For your convenience Fill out the data block below for future reference.

| | |
|--------------------------|-------|
| MACHINE DATA | |
| Fill out at installation | |
| Serial Number: | _____ |
| Engine Serial Number: | _____ |
| Sales Rep.: | _____ |
| Date of Install: | _____ |

All information contained in this catalog is current at the time of printing However, PowerBoss reserves the right to make changes at any time without notice.

TECHNICAL SPECIFICATIONS

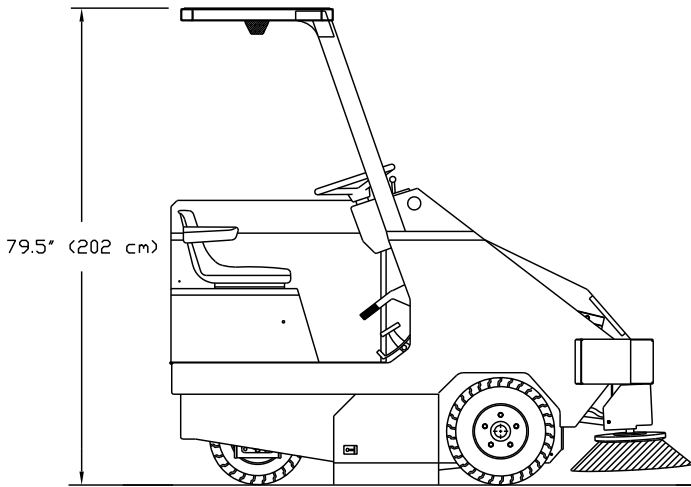
Model Armadillo 6X Gas, LP, and Diesel
 Model No. 3338200, 3338300, SW6XVDSL

DIMENSIONS & WEIGHT

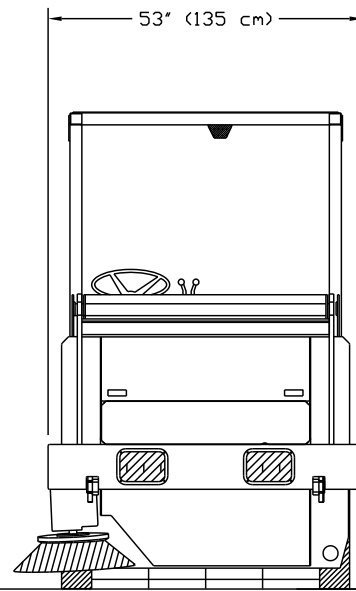
Length 79 inches (200 cm)
 Width 53 inch (135 cm)
 Height 53 inch (135 cm)
 Height w/ overhead guard 79.5 inch (202 cm)
 Weight 2550 lbs (1157 kg)
 Minimum U-turn. 82 inch (208 cm)

SWEEPING SYSTEM

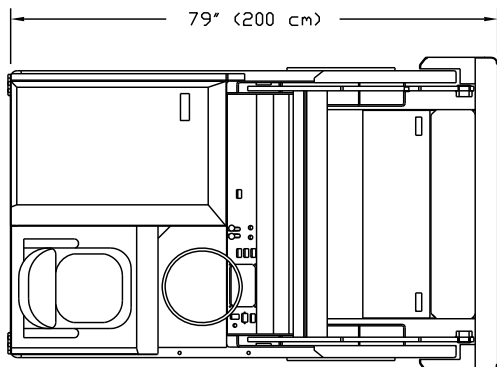
Sweep path 53 inch (135 cm)
 Main broom 36 inch (91 cm)
 Side broom 24 inch (61 cm)
 Hopper type. high dump
 Hopper volume 10 cu ft (.28m²)
 Hopper load capacity. 650 lbs (295 kg)
 Dust control 92 sq ft (8.6 m²)
 High dump 60 inch (152 cm)
 RTR (rotary trash relocation) . . . yes



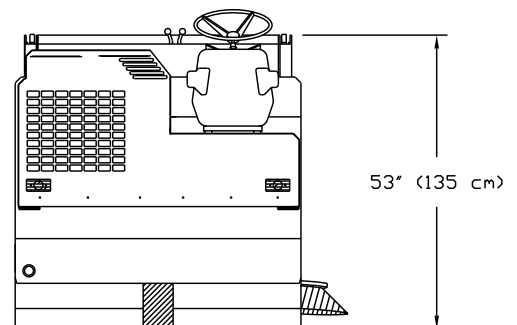
Lift View



Front View



Top View



Rear View

TABLE OF CONTENTS

PREFACE 2

TECHNICAL SPECIFICATIONS 4

 Dimensions & weight 4

 Sweeping system 4

NOTES 7

PARTS BREAKDOWN 8

 FRAME 8

 INSTRUMENT PANEL 10

 AXLE, BRAKES AND WHEEL ASSEMBLY 12

 3318673 FRONT AXLE ASSEMBLY 14

 BATTERY 16

 MAIN BROOM DOOR 18

 ENGINE COVER 20

 DIRECTION CONTROL ASSEMBLY 22

 BUMPER 24

 HOPPER 26

 HOPPER HOOD AND LID ASSEMBLIES 28

 CONTROL VALVE 30

 HYDRAULIC MANIFOLD ASSEMBLY 32

 HYDRAULIC MANIFOLD 34

 HYDRAULIC RESERVOIR 36

 IMPELLER 38

 GASKET MOUNT 40

 LIFT ARM PART 1 42

 LIFT ARM PART 1 (CONTINUED) 44

 LIFT ARM PART 2 46

 MAIN BROOM ASSEMBLY 48

 MAIN BROOM ASSEMBLY (CONTINUED) 50

 SIDE BROOM ASSEMBLY 52

 SIDE BROOM ACTUATOR 54

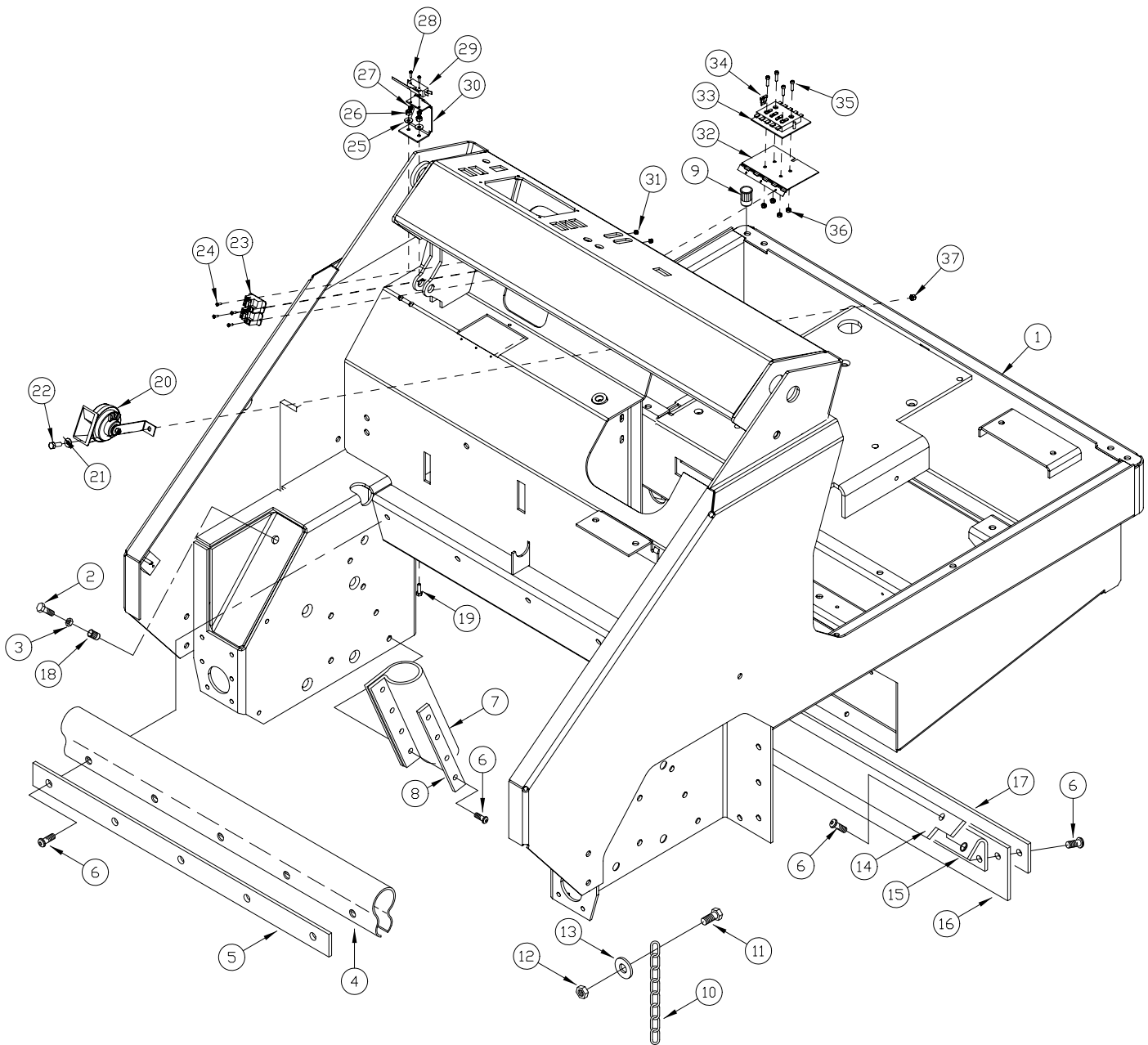
 STEERING ASSEMBLY 56

 TILT STEERING ASSEMBLY 58

 FUEL TANK - GAS AND DIESEL 60

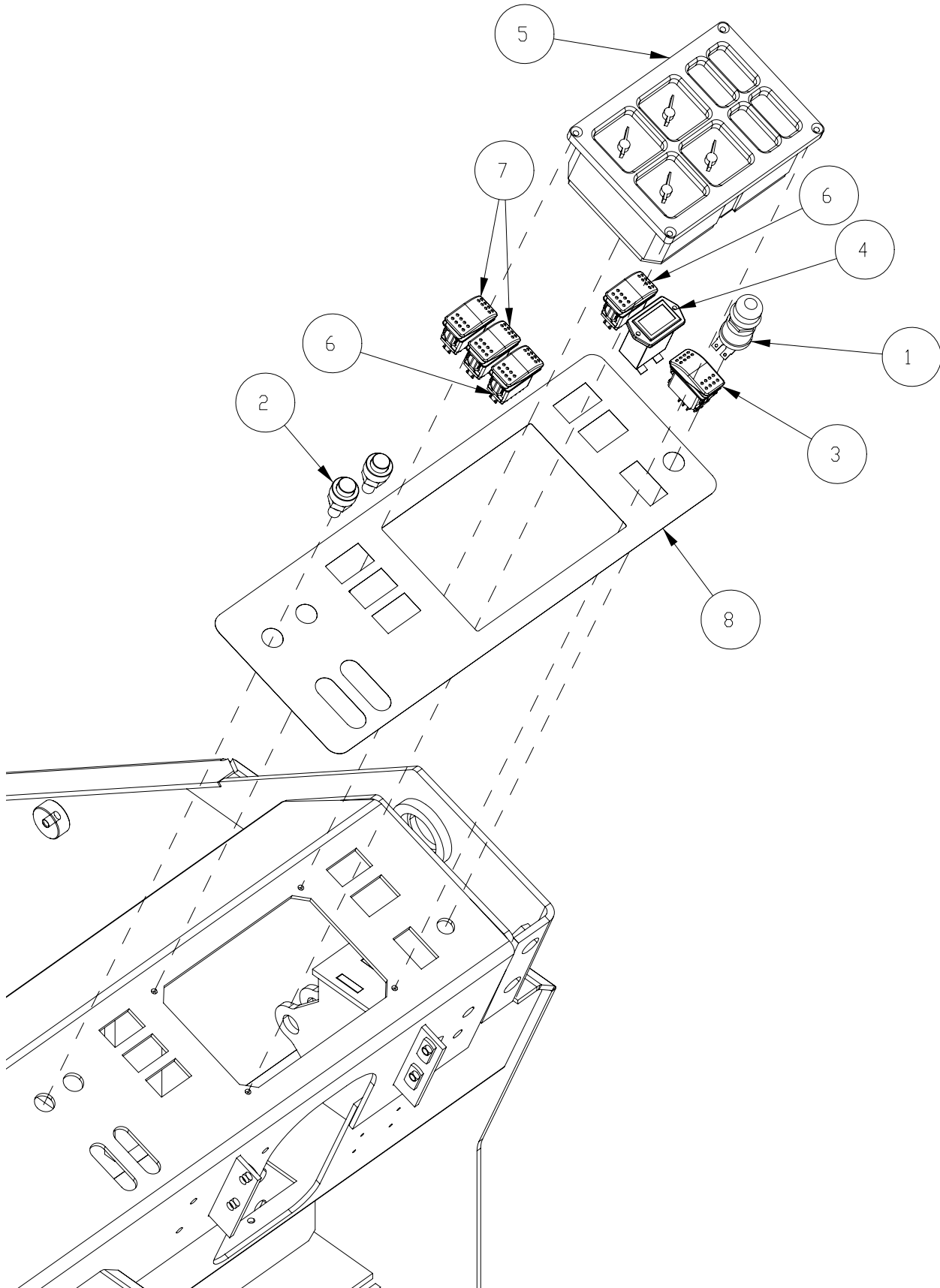
| | |
|--|------------|
| ENGINE KUBOTA D902 DIESEL & DF752 LP/GAS - MOUNTING AND PUMPS | 62 |
| ENGINE KUBOTA D902 DIESEL & DF752 LP/GAS - AIR CLEANER & EXHAUST | 64 |
| ENGINE KUBOTA D902 DIESEL & DF752 LP/GAS - RADIATOR & FLUID COOLER | 66 |
| ENGINE KUBOTA D902 DIESEL & DF752 LP/GAS - ALTERNATOR, WATER PUMP, & FAN | 68 |
| ENGINE KUBOTA D902 DIESEL & DF752 LP/GAS - STARTER, & EXHAUST MANIFOLD | 70 |
| ENGINE KUBOTA D902 DIESEL & DF752 LP/GAS - BLOCK AND FREEZE PLUGS | 72 |
| ENGINE KUBOTA D902 DIESEL & DF752 LP/GAS - CYLINDER HEAD AND VALVES. | 74 |
| ENGINE KUBOTA D902 DIESEL & DF752 LP/GAS - MAIN BEARING CASE | 76 |
| ENGINE KUBOTA D902 DIESEL & DF752 LP/GAS - CAMSHAFT, IDLE & OIL PUMP | 78 |
| ENGINE KUBOTA D902 DIESEL & DF752 LP/GAS - PISTON AND CRANKSHAFT | 80 |
| ENGINE KUBOTA DF752 LP/GAS - DISTRIBUTOR AND SPARK PLUG | 82 |
| ENGINE KUBOTA DF752 LP/GAS - CARBURETOR AND GOVERNOR | 84 |
| ENGINE KUBOTA D902 LP/GAS - FUEL SYSTEM. | 86 |
| ENGINE WG750 GAS - MOUNTINGS | 88 |
| ENGINE WG750 GAS - RADIATOR AND EXHAUST SYSTEM | 90 |
| ENGINE WG750 GAS - COMPONENTS | 92 |
| ENGINE WG750 GAS - COMPONENTS (CONTINUED) | 94 |
| MISCELLANEOUS | 96 |
| MAIN AND SIDE BROOMS. | 98 |
| WARRANTY | 100 |
| NOTES | 101 |

**PARTS BREAKDOWN
FRAME**



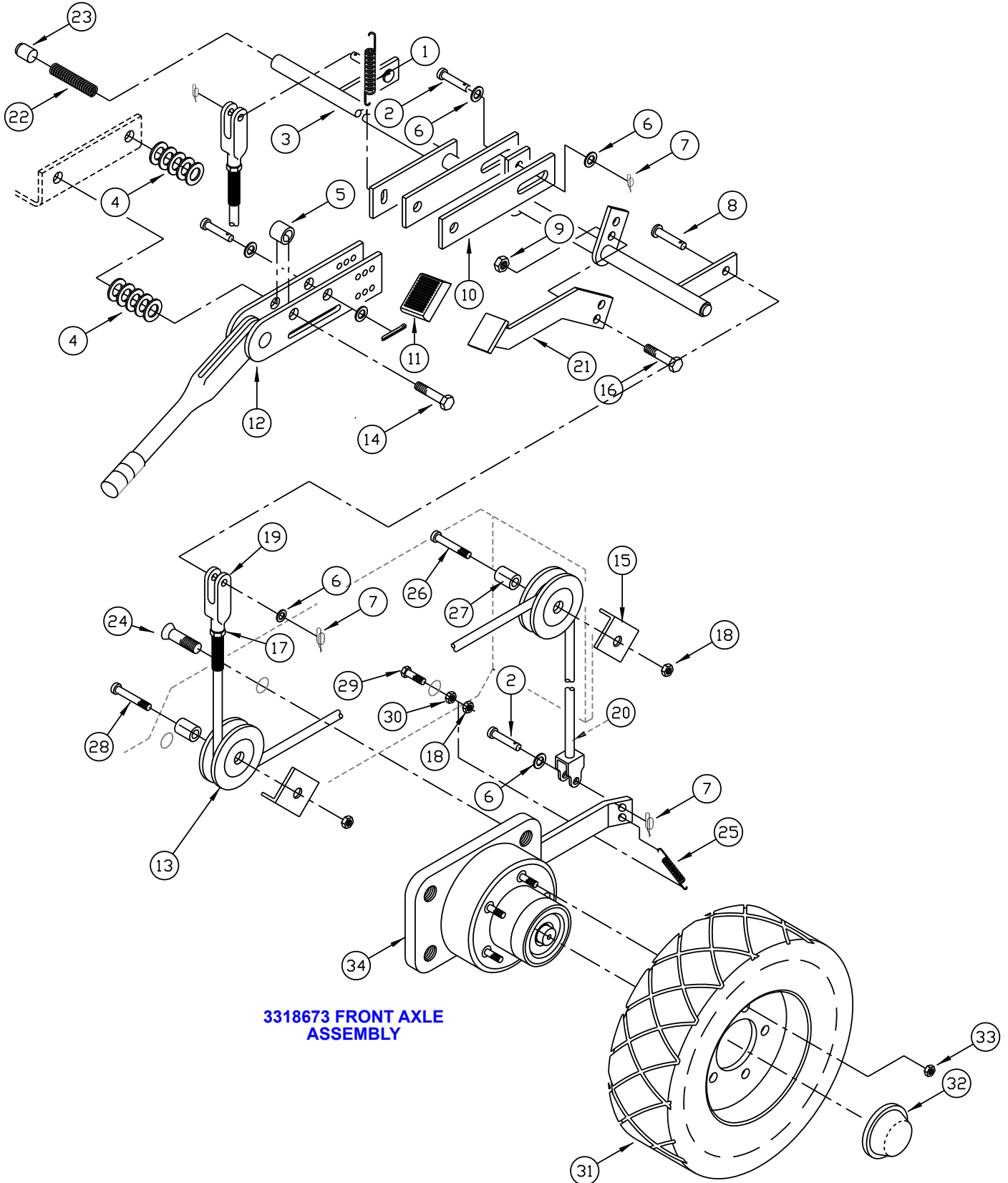
| FRAME | | | |
|-------|----------|-----|--------------------------------|
| ITEM | PART NO. | QTY | DESCRIPTION |
| 1 | 3338082 | 1 | WELD—FRAME |
| 2 | 3401954 | 2 | SCR—HEX .50-13 X 3.5 |
| 3 | 3400065 | 2 | NUT—HEX 1/2-13 ZP |
| 4 | 3311123 | 1 | SEAL—FRAM FRONT |
| 5 | 3311417 | 1 | BAR—RETAINER FRONT SEAL PLTD |
| 6 | 3400790 | 23 | SCREW—BHSC .375X16 X 1 |
| 7 | 3311413 | 2 | SEAL—HOPPER SIDE |
| 8 | 3311414 | 2 | BAR—SEAL RETAINER PLTD |
| 9 | 3322186 | 35 | INSERT—3/8-16 UNC |
| 10 | 3307658 | 1 | CHAIN—GROUNDING ARMA |
| 11 | 3400034 | 1 | SCR—HEX 5/16-18 X 1.25 ZP |
| 12 | 3400080 | 1 | NUT—HEX 5/16-18 ES ZP |
| 13 | 3400088 | 1 | WASHER—FLAT 5/16 STANDARD ZP |
| 14 | 3318572 | 1 | FLAP—BROOM CHAMBER |
| 15 | 3318571 | 1 | ANGLE—REAR FLAP |
| 16 | 3318573 | 1 | FLAP—BROOM CHAMBER |
| 17 | 3318574 | 1 | RETAINER—REAR FLAP |
| 18 | 3322185 | 2 | INSERT—1/2-13 UNC |
| 19 | 3400041 | 2 | SCREW-HEX,1/4-20X0.88 ZP |
| 20 | 3300379 | 1 | HORN-12V STANDARD AUTOMOTIVE |
| 21 | 3400394 | 1 | NUT-FLANGE LOCK 7/16-14 |
| 22 | 3400035 | 1 | SCREW-HEX,5/16-18X1.00 ZP |
| 23 | 3318859 | 2 | RELAY-12 VDC SPDT |
| 24 | 3400298 | 4 | SCREW-PAN,#632X.50,SLT ZP |
| 25 | 3400383 | 2 | WASHER-CONICAL SPRING 1/4 |
| 26 | 3400042 | 2 | SCREW-HEX,1/4-20X0.75 ZP |
| 27 | 3400492 | 2 | NUT-#632 ELASTIC STOP |
| 28 | 3400428 | 2 | SCREW-PAN,#632X1.00,SLT ZP |
| 29 | 3026603 | 1 | SWITCH |
| 30 | 3338073 | 1 | BRKT-SWITCH MOUNT |
| 31 | 3400081 | 1 | NUT-HEX 1/4-20 ES ZP |
| 32 | 3338196 | 1 | FUSE PANEL PLATE |
| 33 | 3322599 | 1 | FUSE BLOCK-ATO FUSE |
| 34 | 3322601 | 5 | FUSE-15 AMP AUTOMOTIVE PUSH IN |
| 35 | 3400050 | 4 | SCREW-SOC,#10-24X1.25 ZP |
| 36 | 3400399 | 4 | NUT-HEX NYLON LOCK #10-24 SS |

INSTRUMENT PANEL



| INSTRUMENT PANEL | | | |
|------------------|----------|-----|--------------------------------|
| ITEM | PART NO. | QTY | DESCRIPTION |
| 1 | 3300441 | 1 | SWITCH—MOMENTARY STARTER |
| 2 | 3301553 | 2 | LIGHT—TRASH RELOCATOR |
| 3 | 3311993 | 1 | SWITCH—ROCKER PANEL |
| 4 | 3315336 | 1 | HOUR METER—HOBBS 85094-12 |
| 5 | 3315914 | 1 | GAUGE PANEL—STEWART WARNER 4GC |
| 6 | 3318483 | 2 | SWITCH—DPST ROCKER |
| 7 | 3318514 | 2 | SWITCH—SPDT ROCKER |
| 8 | 3338065 | 1 | DECAL—CONTROLS SW/6XV |

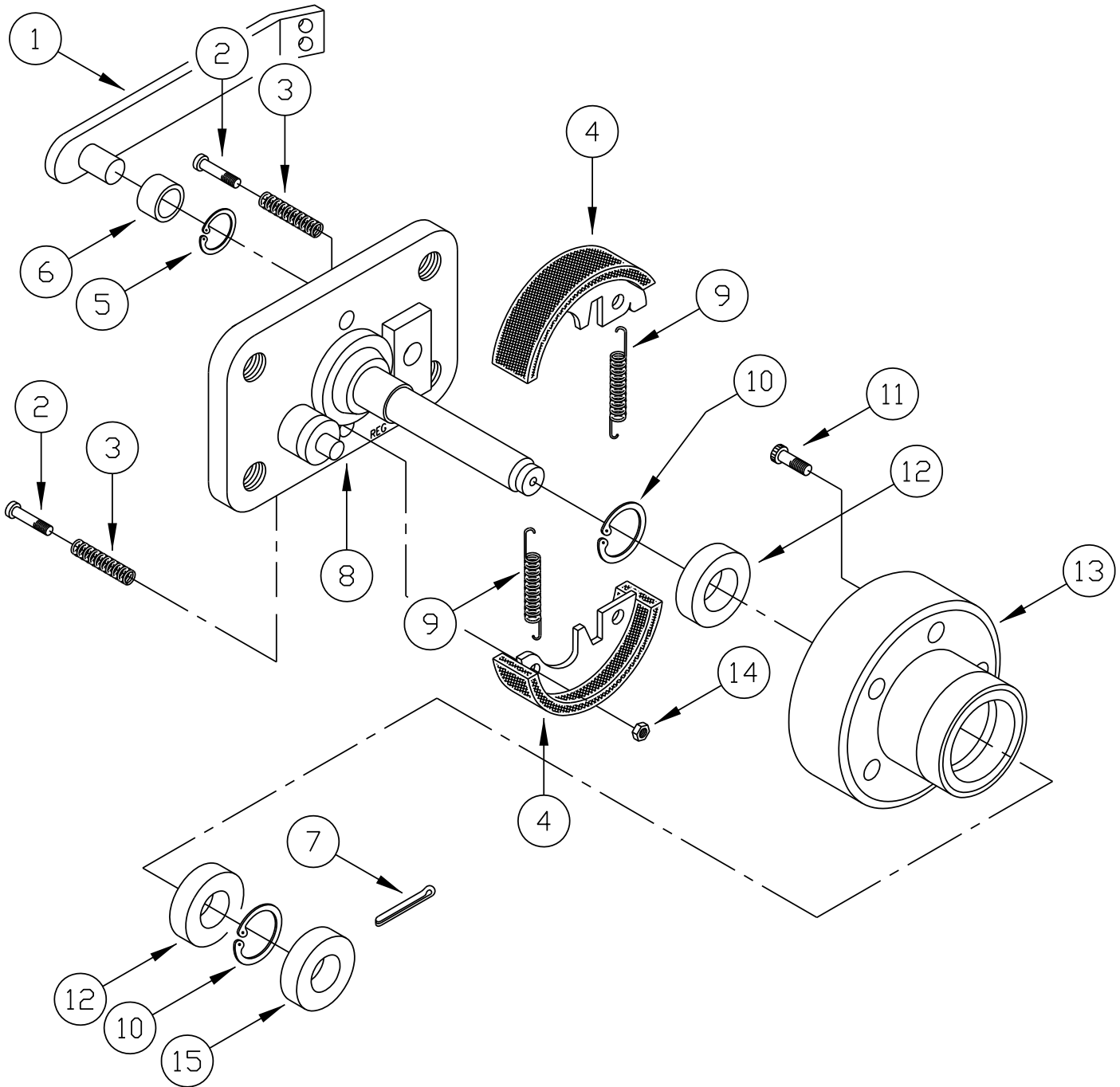
AXLE, BRAKES AND WHEEL ASSEMBLY



3318673 FRONT AXLE ASSEMBLY

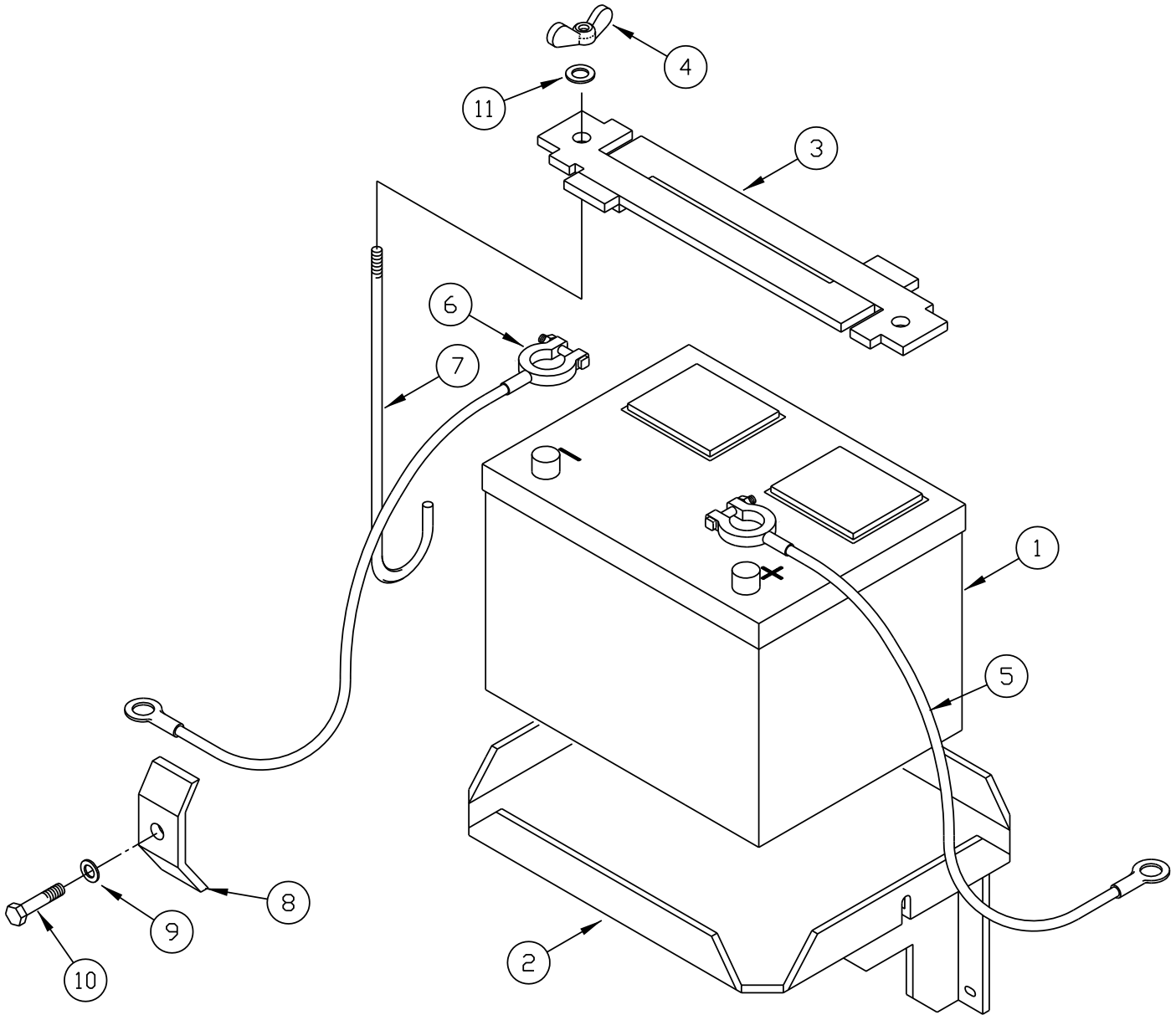
| AXLE, BRAKES AND WHEEL ASSEMBLY | | | |
|---------------------------------|----------|-----|-----------------------------------|
| ITEM | PART NO. | QTY | DESCRIPTION |
| 1 | 3301521 | 1 | SPRING - BRAKE ARM |
| 2 | 3400118 | 3 | PIN - CLEVIS 5/16 X .88 |
| 3 | 3318562 | 1 | WELD - BRAKE BAR |
| 4 | 3400087 | 10 | WASHER - FLAT 3/8 STANDARD ZP |
| 5 | 3318422 | 2 | SHIM - HAND BRAKE |
| 6 | 3400088 | 3 | WASHER - FLAT 5/16 |
| 7 | 3400125 | 5 | RING - RUE 3/8 |
| 8 | 3400185 | 2 | PIN - CLEVIS 5/16 X 1.25 |
| 9 | 3400080 | 2 | NUT - HEX 5/16-18 ES ZP |
| 10 | 3301102 | 2 | BAR - PARKING BRAKE |
| 11 | 3300413 | 1 | PAD - RUBBER BRAKE PEDAL |
| 12 | 3303169 | 1 | HAND BRAKE - PURCHASED |
| 13 | 3304760 | 4 | PULLEY - CABLE HYDRAULIC BRAKE |
| 14 | 3400311 | 2 | SCR - HEX 5/16-18 X 1.75 |
| 15 | 3306460 | 4 | RETAINER - CABLE HYDRAULIC BRAKES |
| 16 | 3400035 | 2 | SCR - HEX 5/16-18 X 1.00 ZP |
| 17 | 3400069 | 2 | NUT - HEX 5/16-24 ZP |
| 18 | 3400068 | 4 | NUT - HEX 3/8-16 |
| 19 | 3307642 | 2 | CLEVIS 5/16 PLTD SW/A |
| 20 | 3313211 | 2 | CABLE - BRAKE |
| 21 | 3318461 | 1 | WELD - BRAKE PEDAL W/ARM |
| 22 | 331814 | 1 | SPRING - C0720-081-1250-S |
| 23 | 3318412 | 1 | PLUG - BRAKE ROD |
| 24 | 3400011 | 8 | SCR - SOC FLT 5/8-11 X 1.00 |
| 25 | 3301517 | 2 | SPRING - EXT BRAKE LEVER |
| 26 | 3400028 | 1 | SCR-HEX,3/8-16X1.50 ZP |
| 27 | 3300431 | 2 | BUSHING-.499 ID X .594 OD X 1/4 L |
| 28 | 3400997 | 1 | SCR-FLT,3/8-16X1.5 |
| 29 | 3400029 | 2 | SCR-HEX, 3/8-16X1.25 ZP |
| 30 | 3400068 | 2 | NUT-HEX 3/8-16 ZP |
| 31 | 3318597 | 2 | WHEEL - 5.00 X 8 X 18" MOLDED |
| 32 | 3300369 | 2 | DUST CAP |
| 33 | 3300411 | 10 | NUT - WHEEL LUG |
| 34 | 3318673 | 2 | FRONT AXLE ASSEMBLY |

3318673 FRONT AXLE ASSEMBLY



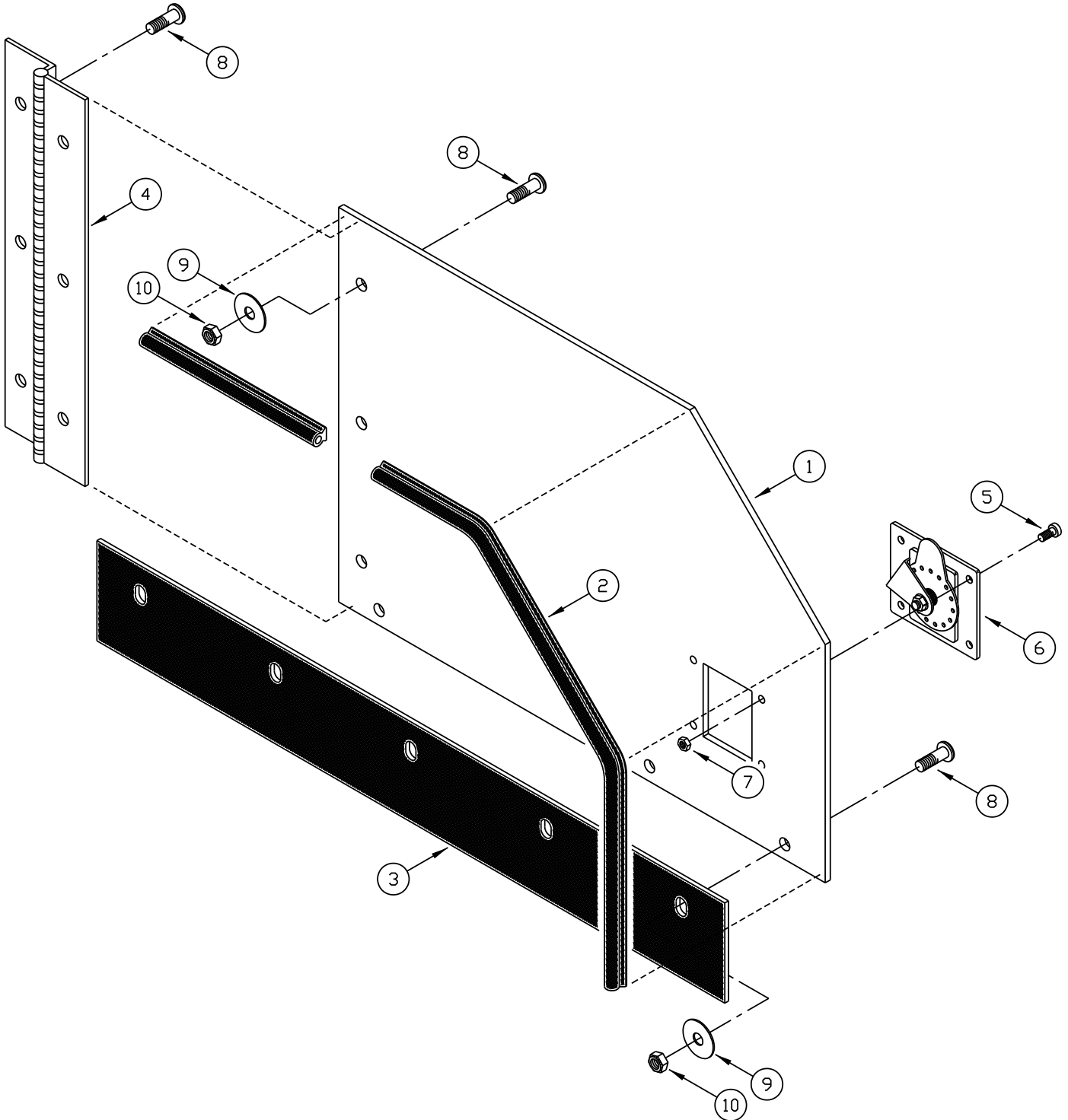
| 3318673 FRONT AXLE ASSEMBLY | | | |
|-----------------------------|----------|-----|-------------------------------|
| ITEM | PART NO. | QTY | DESCRIPTION |
| 1 | 3300870 | 1 | ASSEMBLY - BRAKE LEVER PLATED |
| 2 | 3400060 | 2 | SCR - THM #8-32 X 3.00 |
| 3 | 3301518 | 2 | SPRING - COMP BRAKE SHOE |
| 4 | 3300523 | 2 | SHOE - BRAKE W/LINING |
| 5 | 3300484 | 2 | RING - RET EXT .87 |
| 6 | 3300410 | 1 | BUSHING 1.00OD X .87ID |
| 7 | 3400120 | 1 | PIN - COTTER 5/16 X 2.00 |
| 8 | 3300852 | 1 | ASSEMBLY - FRONT AXLE |
| 9 | 3301519 | 2 | SPRING - EXT BRAKE SHOE |
| 10 | 3300473 | 2 | RING - RETAINER INT 2.44 |
| 11 | 3400938 | 5 | STUD - WHEEL REAR |
| 12 | 3300467 | 2 | BEARING - BALL 2.44 X 1.18ID |
| 13 | 3300787 | 1 | HUB - FRONT WHEEL |
| 14 | 3400082 | 2 | NUT - HEX EX #8-32 |
| 15 | 3300876 | 1 | SPACER - AXLE FRONT PLTD |

BATTERY



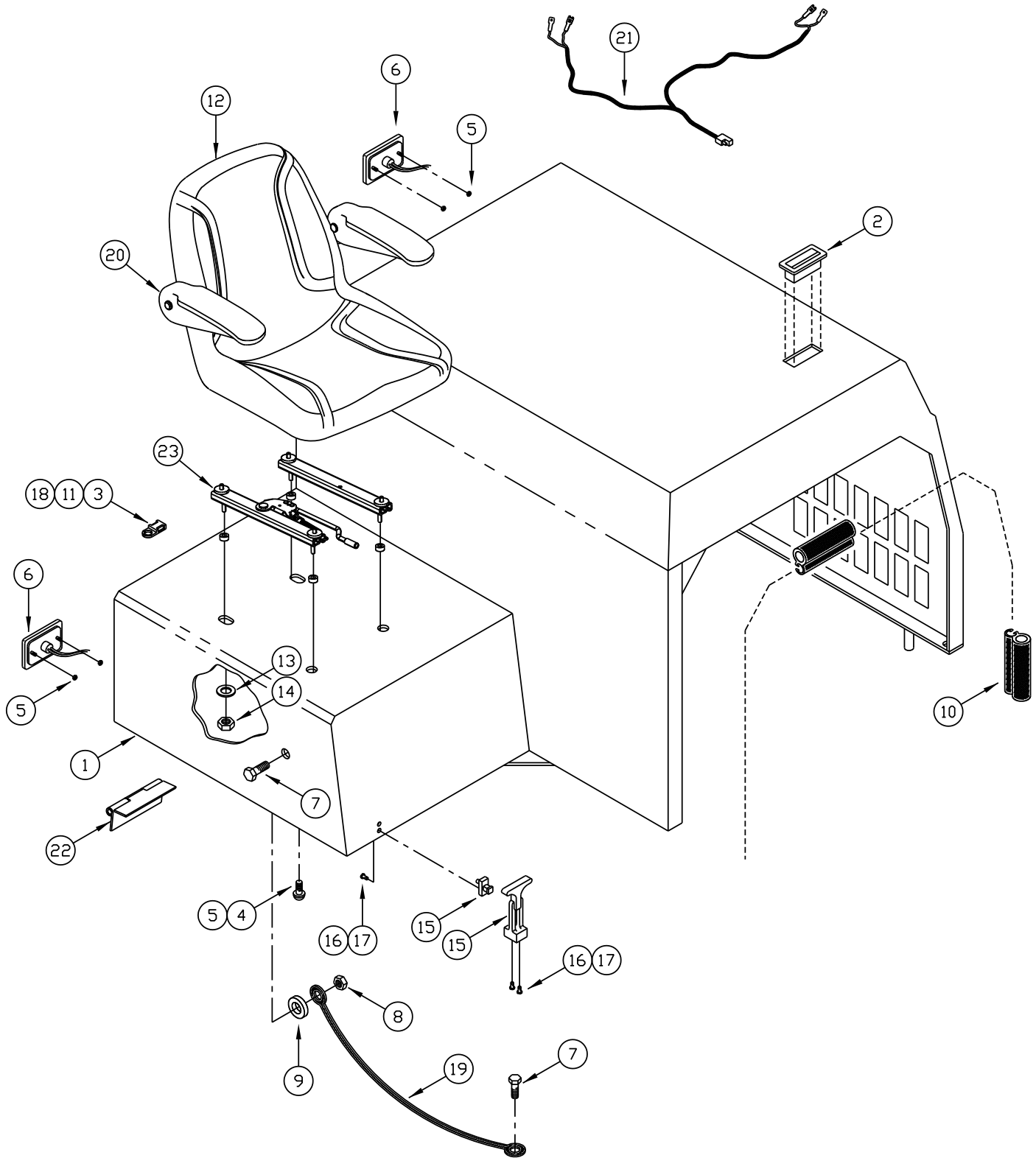
| BATTERY | | | |
|---------|----------|-----|---------------------------------|
| ITEM | PART NO. | QTY | DESCRIPTION |
| 1 | 3300440 | 1 | BATTERY—GAS ENGINE |
| 2 | 3338120 | 1 | ASSEMBLY—BATTERY MNT PNTD |
| 3 | 3301076 | 1 | HOLD DOWN—BATTERY 2-PIECE |
| 4 | 3400085 | 2 | NUT—WING 1/4-20 ZP |
| 5 | 3307634 | 1 | ASSEMBLY—BATTERY CABLE ARMA NEG |
| 6 | 3307633 | 1 | ASSEMBLY—BATTERY CABLE ARMA POS |
| 7 | 3301079 | 2 | ROD—BATTERY TIE-DOWN PLTD |
| 8 | 3301437 | 2 | HOSE CLAMP-PLTD |
| 9 | 3400385 | 2 | WASHER-CONICAL SPRING 3/8 |
| 10 | 3400029 | 2 | SCREW-HEX, 3/8-16X1.25 ZP |
| 11 | 3400089 | 2 | WASHER-FLAT 1/4 STANDARD ZP |

MAIN BROOM DOOR



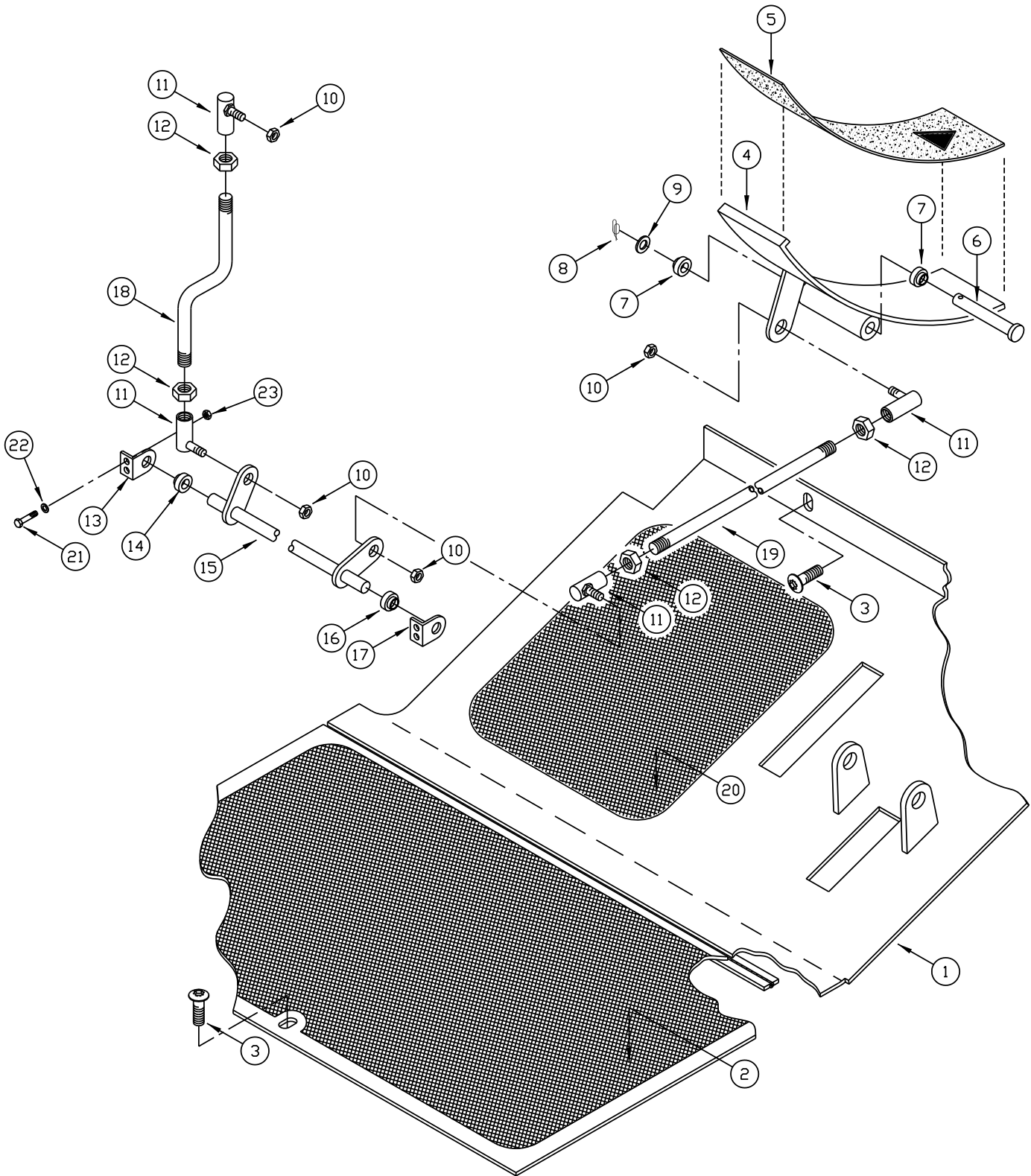
| MAIN BROOM DOOR | | | |
|-----------------|----------|---------|--------------------------------|
| ITEM | PART NO. | QTY | DESCRIPTION |
| * | 3318568 | 1 | ASSY- BROOM DOOR R/H |
| * | 3318728 | 1 | ASSY- BROOM DOOR L/H |
| 1 | 3318567 | 1 | DOOR—MAIN BROOM |
| 2 | 3318739 | 2.3 FT. | WEATHERSTRIPPING—RUBBER SPONGE |
| 3 | 3318582 | 1 | FLAP—BROOM DOOR |
| 4 | 3318694 | 1 | HINGE—.125 X 3.0 X 11.12 LONG |
| 5 | 3400048 | 4 | SCR—SOC #10-32 X 0.75 ZP |
| 6 | 3318595 | 1 | LATCH—"T" HANDLE |
| 7 | 3400172 | 4 | NUT—HEX JAM #10-32 ES ZP |
| 8 | 3400790 | 8 | SCREW—HBSCS .375-16 X 1 |
| 9 | 3400092 | 8 | WASHER—FENDER 3/8 ZP |
| 10 | 3400392 | 8 | NUT—FLANGE LOCK 3/8-16 |

ENGINE COVER



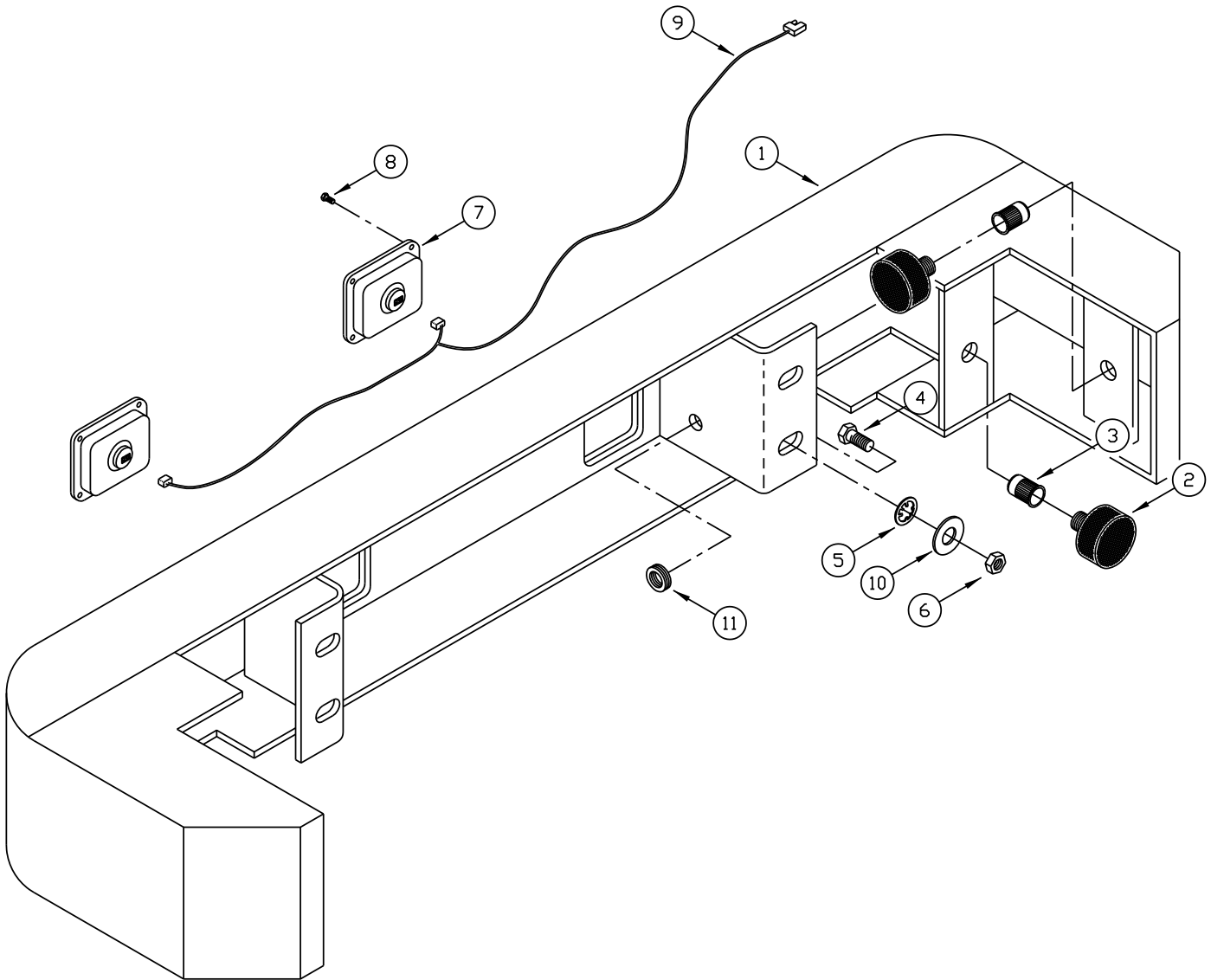
| ENGINE COVER | | | |
|--------------|----------|---------|---|
| ITEM | PART NO. | QTY | DESCRIPTION |
| 1 | 3338068 | 1 | WELD—REAR CLIP |
| 2 | 3311371 | 1 | PULL—REAR CLIP |
| 3 | 3302472 | 6 | MOUNT—WIRE TIE LOW PROFILE |
| 4 | 3312413 | 4 | BUMPER—RUBBER .88 DIA 10-32 X .5 |
| 5 | 3400072 | 4 | NUT-HEX #10-32 ZP |
| 6 | 3311373 | 2 | LIGHT—REAR TAIL RED |
| 7 | 3400790 | 2 | SCREW—BHSCS 3/8-16 X 1 |
| 8 | 3400079 | 1 | NUT—HEX 3/8-16 ES ZP |
| 9 | 3301085 | 1 | SPACER—CABLE |
| 10 | 3500198 | 5.5 FT. | SEAL—TRIM CAB |
| 11 | 3400484 | 8 | RIVET—AVDEL 3/16 X .602 |
| 12 | 3343778 | 1 | ASSY-SEAT (MICH V-2805 SERIES) |
| 13 | 3400088 | 4 | WASHER—5/16 FENDER |
| 14 | 3400080 | 4 | NUT—5/16-18 ES ZP |
| 15 | 3311941 | 2 | LATCH—FLEXIBLE-HANDLE |
| 16 | 3400489 | 6 | SCR—PAN #10-24 X 5/8 SLT SS |
| 17 | 3400400 | 6 | WASHER—FLAT #10 SS |
| 18 | 3302493 | 6 | TIE—WIRE |
| 19 | 3318693 | 1 | CABLE, ENGINE CLIP |
| 20 | 3343777 | 1 | ASSY-ARMREST SEAT 3343778(MICHI: 16876 & 16877) |
| 21 | 3338078 | 1 | HARNESS—TAIL LIGHTS SW/6XV |
| 22 | 3318394 | 2 | HINGE-WD .075 X 3.0 X 3.5 LG (WELDED TO COVER) |
| 23 | 3316891 | 1 | KIT-ADJUSTABLE SEAT TRACK |

DIRECTION CONTROL ASSEMBLY



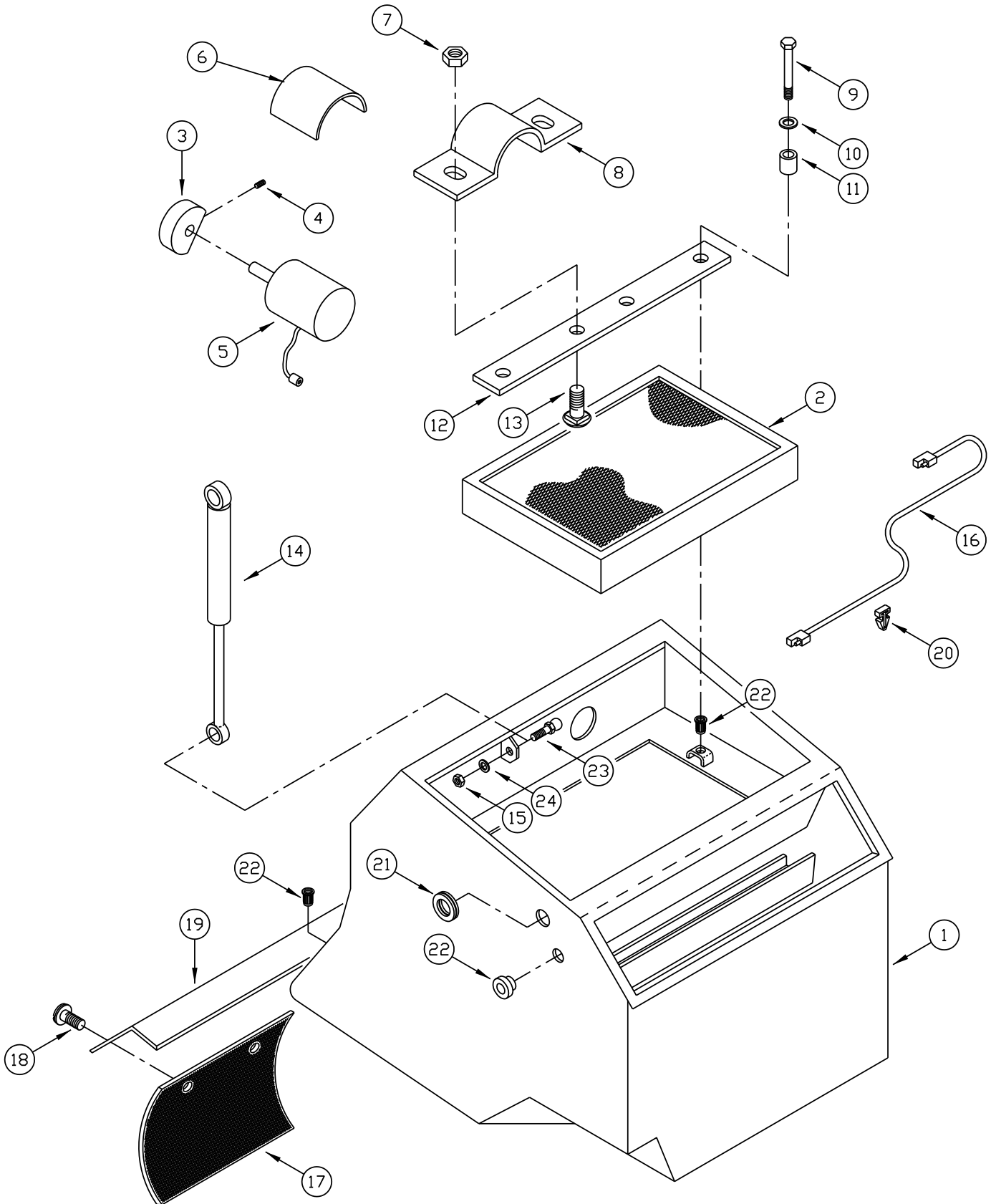
| DIRECTION CONTROL ASSEMBLY | | | |
|----------------------------|----------|-----|----------------------------------|
| ITEM | PART NO. | QTY | DESCRIPTION |
| 1 | 3338197 | 1 | WELD—FLOOR PAN |
| 2 | 3330747 | 1 | MAT-FLOORBOARD |
| 3 | 3400790 | 2 | SCREW—BHSCS .375-16 X 1 |
| 4 | 3300737 | 1 | WELD—PEDAL FWD / REV PNTD |
| 5 | 3300544 | 1 | PAD—FOOT PEDAL |
| 6 | 3400114 | 1 | PIN—CLEVIS 3/8 X 4.00 ZP |
| 7 | 3300414 | 2 | BUSHING—PLASTIC MN BRM |
| 8 | 3400125 | 1 | PIN—COTER 3/8 RUE-RING |
| 9 | 3400087 | 1 | WASHER-FLAT 3/8 STANDARD ZP |
| 10 | 3400342 | 4 | NUT-HEX 3/8-24 ES ZP |
| 11 | 3300461 | 4 | BALL JOINT 3/8-24 W/DUST COVER |
| 12 | 3400075 | 4 | NUT-HEX JAM 3/8-24 ZP |
| 13 | 3307223 | 1 | MNT—BUSHING DIR CONT |
| 14 | 3307220 | 1 | BEARING—DIR CONTROL |
| 15 | 3338013 | 1 | WELD—DIR TORQUE TUBE |
| 16 | 3307220 | 1 | BEARING—DIR CONTROL |
| 17 | 3307223 | 1 | MNT—BUSHING DIR CONT |
| 18 | 3338188 | 1 | ROD—DIR CONTROL ENGINE GAS & LP |
| | 3338010 | 1 | ROD-DIR CONTROL PLATE 6XV DIESEL |
| 19 | 3338011 | 1 | ROD—DIR CONTROL PEDAL |
| 20 | 3309734 | 1 | FLOOR MAT—SMALL |
| 21 | 3400035 | 2 | SCREW-HEX,5/16-18X1.00 ZP |
| 22 | 3400278 | 2 | WASHER-FENDER 3/8 ZP |
| 23 | 3400480 | 2 | NUT-HEX 10-24 |

BUMPER



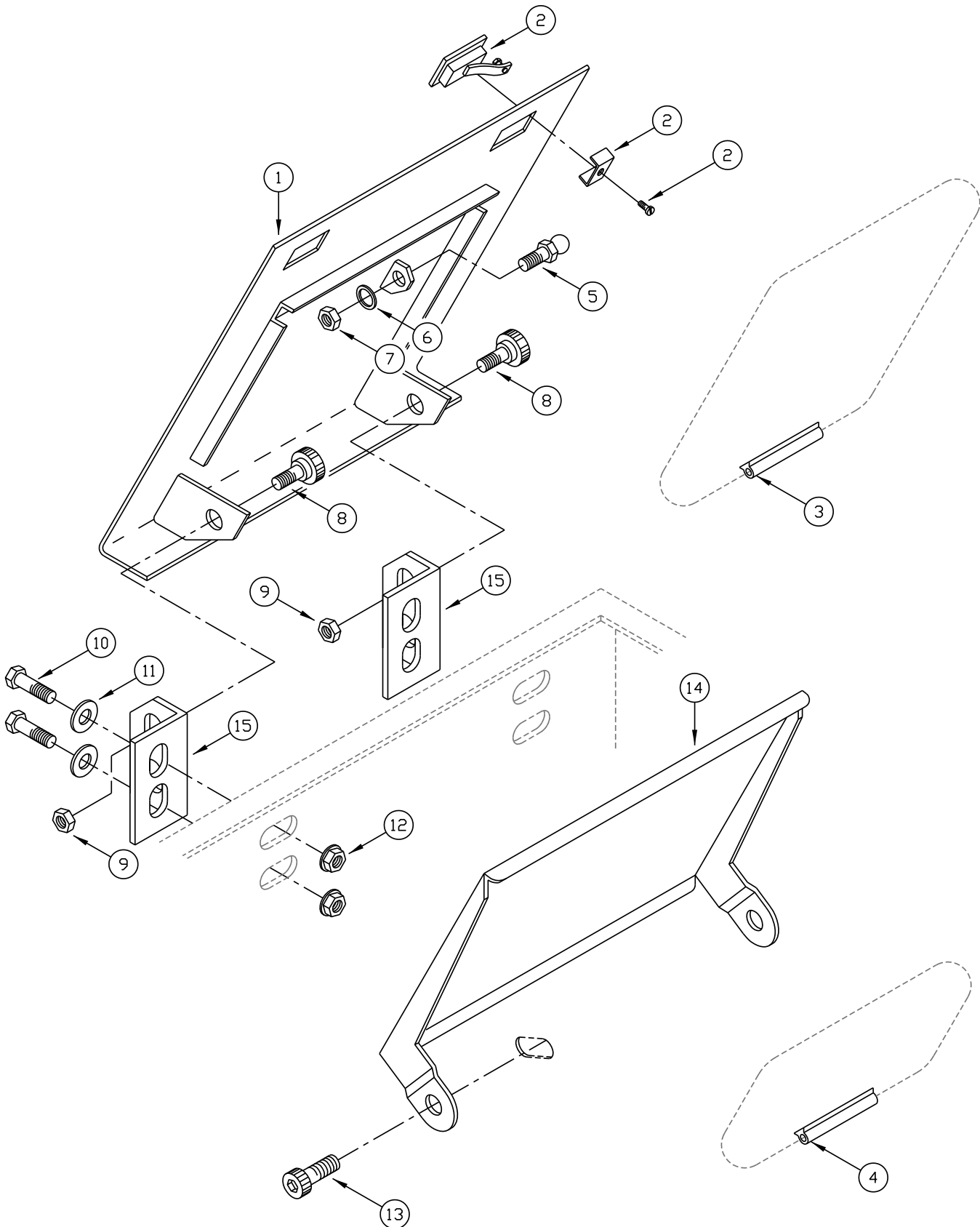
| BUMPER | | | |
|--------|----------|-----|-------------------------------|
| ITEM | PART NO. | QTY | DESCRIPTION |
| 1 | 3318577 | 1 | WELD—FRONT BUMPER |
| 2 | 3316871 | 4 | BUMPER—RUBBER |
| 3 | 3322186 | 4 | INSERT—3/8-16 UNC |
| 4 | 3400029 | 4 | SCR—HEX 3/8-16 X 1.25 ZP |
| 5 | 3316981 | 4 | RETAINER—BUMPER BOLT ARMA |
| 6 | 3400079 | 4 | NUT—HEX 3/8-16 ES ZP |
| 7 | 3315839 | 2 | HEADLIGHT—FLUSH MOUNT HALOGEN |
| 8 | 3311374 | 8 | SCR—HEX 1/4-14 X 3/4 SELF TAP |
| 9 | 3316880 | 1 | HARNES—WIRING HEADLIGHTS |
| 10 | 3400092 | 4 | WASHER—FENDER 3/8 ZP |
| 11 | 3311564 | 1 | GROMMET—1/2 ID RUBBER |

HOPPER



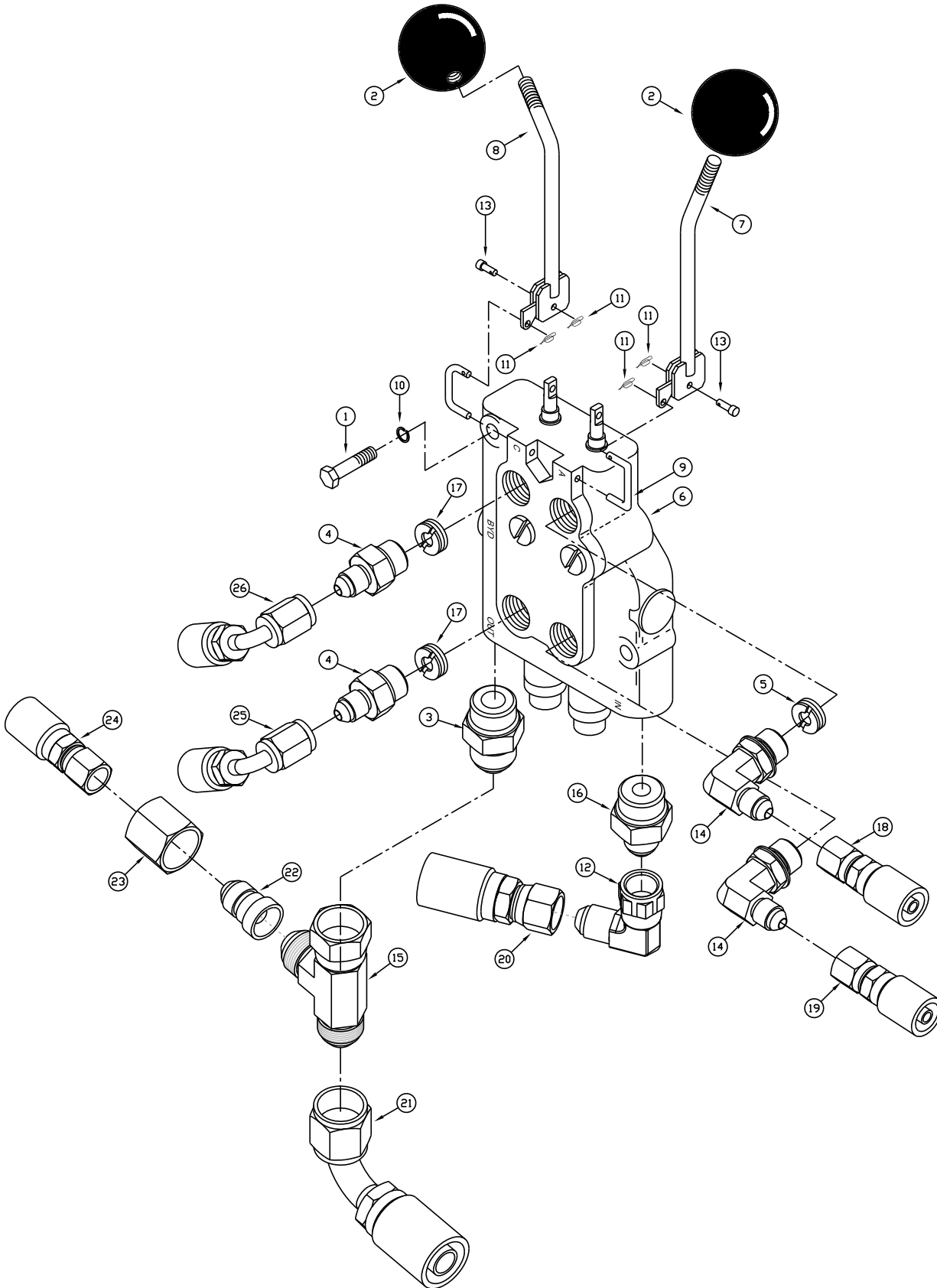
| HOPPER | | | |
|--------|----------|-----|--------------------------------|
| ITEM | PART NO. | QTY | DESCRIPTION |
| 1 | 3318609 | 1 | WELD - HOPPER |
| 2 | 3334166 | 1 | FILTER - HOPPER |
| 3 | 3301053 | 1 | WEIGHT - ECCENTRIC PNTD |
| 4 | 3400055 | 1 | SCR - SET #10-24 X .31 ZP |
| 5 | 3342894 | 1 | MOTOR - SHAKER FILTER |
| 6 | 3300904 | 1 | MOUNT - NEOPRENE SHAKER MOTOR |
| 7 | 3400080 | 2 | NUT - HEX 5/16-18 ES ZP |
| 8 | 3300915 | 1 | RETAINER - SHAKER MOTOR PNTD |
| 9 | 3400501 | 2 | SCR - HEX 3/8-16 X 4.00 ZP |
| 10 | 3400233 | 2 | WASHER - FENDER 5/16 X 1.00 OD |
| 11 | 3307850 | 2 | ISOLATOR - HOPPER FILTER |
| 12 | 3311456 | 1 | BAR - FILTER RETAINER |
| 13 | 3400009 | 2 | SCR - CAR 5/16-18 X 1.00 ZP |
| 14 | 3305006 | 1 | SPRING - GAS |
| 15 | 3400070 | 1 | NUT - HEX 5/16-18 ZP |
| 16 | 3302328 | 1 | HARNESS - WIRING HOPPER |
| 17 | 3311237 | 4 | FLAP - HOPPER LIP |
| 18 | 3400790 | 8 | SCREW - BHSC .375-16 X 1 |
| 19 | 3311238 | 1 | ANGLE - HOPPER FLAP RETAINER |
| 20 | 3400784 | 3 | MOUNT - CABLE TIE |
| 21 | 3301665 | 1 | GROMMET - Z - 2056 |
| 22 | 3322186 | 12 | INSERT 3/8-16 UNC |
| 23 | 3300376 | 1 | STUD - BALL GAS SPRING |
| 24 | 3400102 | 1 | WASHER - LOCK 5/16 SPLIT ZP |

HOPPER HOOD AND LID ASSEMBLIES



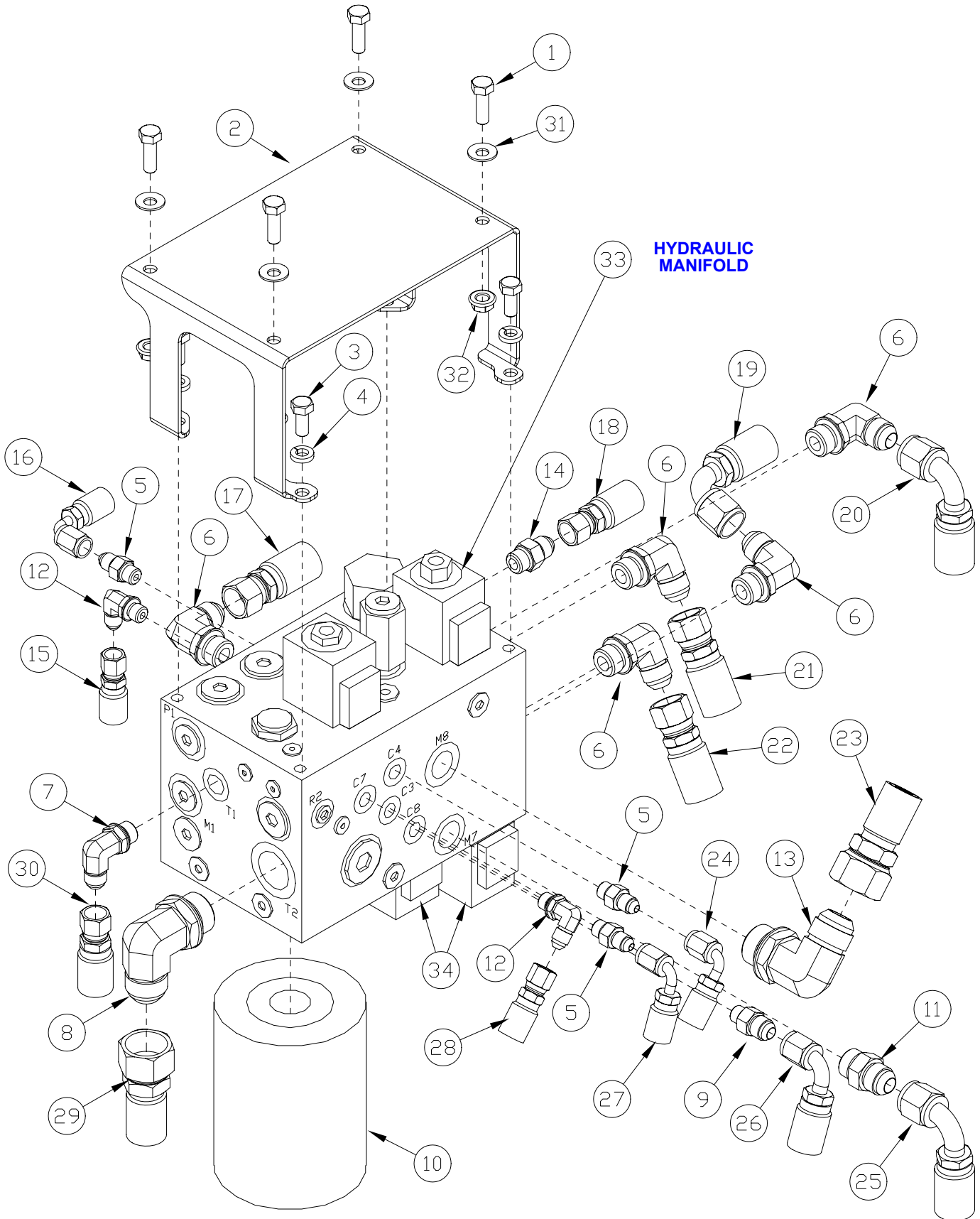
| HOPPER HOOD AND LID ASSEMBLIES | | | |
|--------------------------------|----------|---------|---------------------------------|
| ITEM | PART NO. | QTY | DESCRIPTION |
| 1 | 3311240 | 1 | WELD—HOPPER HOOD PNTD |
| 2 | 3300380 | 2 | LATCH ASSEMBLY—#C2-10-301-50 |
| 3 | 3318739 | 7.0 FT. | WEATHER STRIPPING—RUBBER SPONGE |
| 4 | 3318739 | 7.0 FT. | WEATHER STRIPPING—RUBBERSPONGE |
| 5 | 3300376 | 1 | STUD—BALL GAS SPRING |
| 6 | 3400102 | 1 | WASHER—LOCK 5/16 SPLIT ZP |
| 7 | 3400070 | 1 | NUT—HEX 5/16-18 ZP |
| 8 | 3400052 | 2 | SCR—HSS 5/16 DIA X .25 ZP |
| 9 | 3400063 | 2 | NUT—FLANGE LOCK 1/4-20 ZP |
| 10 | 3400035 | 4 | SCR—HEX 5/16-18 X 1.00 ZP |
| 11 | 3400384 | 4 | WASHER—CONICAL SPRING 5/16 |
| 12 | 3400390 | 4 | NUT—FLANGE LOCK 5/16-18 ZP |
| 13 | 3400170 | 2 | SCR—HSS 1/2 DIA X .31 ZP |
| 14 | 3318540 | 1 | LID—HOPPER |
| 15 | 3311245 | 2 | HINGE—FILTER COVER PAINTED |

CONTROL VALVE



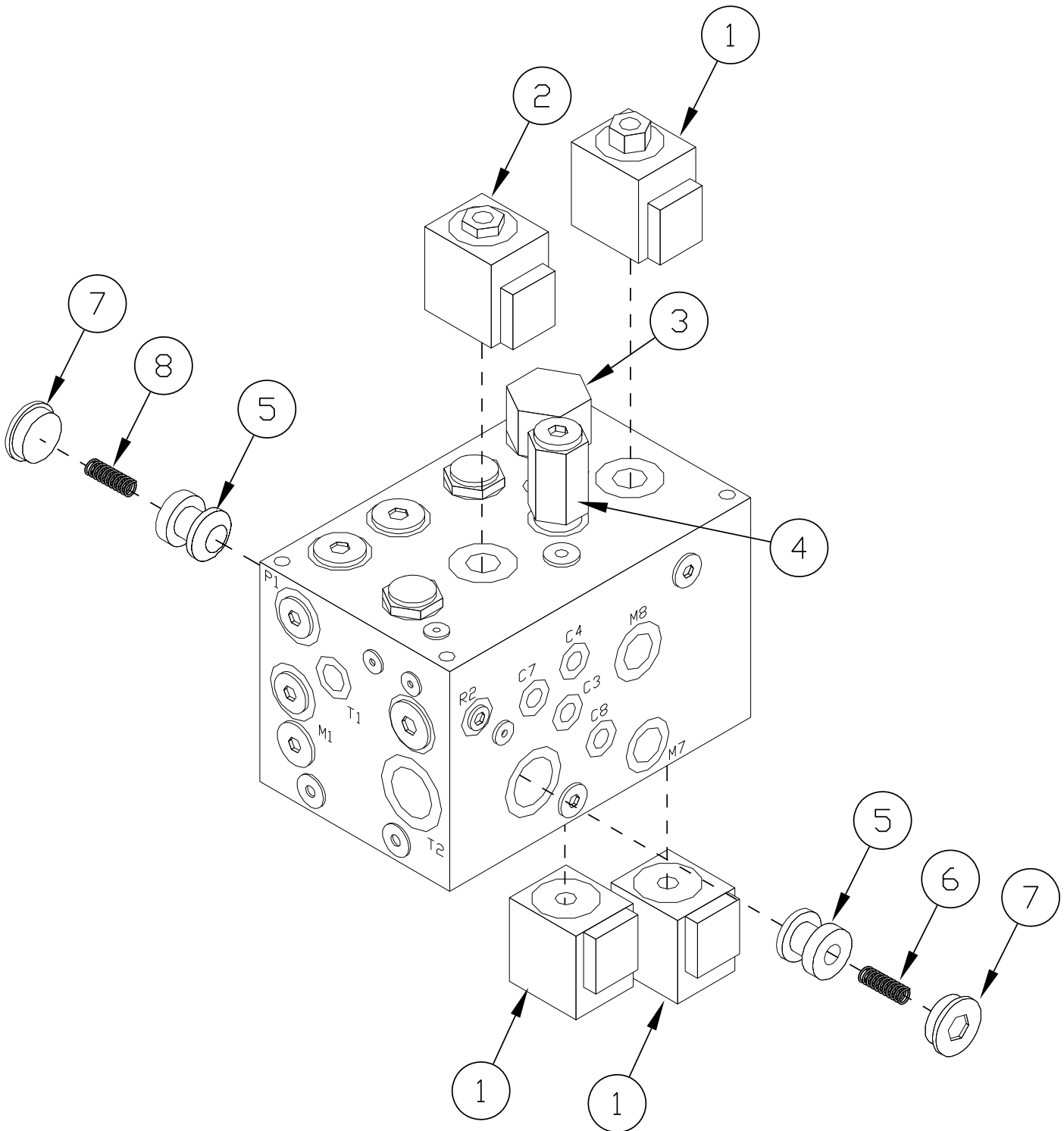
| CONTROL VALVE | | | |
|---------------|----------|-----|-----------------------------------|
| ITEM | PART NO. | QTY | DESCRIPTION |
| 1 | 3400173 | 2 | SCR—HEX, 1/4-20X1.75 ZP |
| 2 | 3300562 | 2 | KNOB—BALL 1.375" DIA #95 BLACK |
| 3 | 3304899 | 1 | FTG—ADAP 3/4-16 TO 1/2 OD TUBE |
| 4 | 3400264 | 2 | FTG—MALE CONNECTOR 9/16 TO #4 |
| 5 | 3313013 | 1 | ORIFICE—CYL A CONT VALVE |
| 6 | 3338092 | 1 | DIR CONTROL VALVE—SW6XV |
| 7 | 3313278 | 1 | WELD—VALVE HANDLE LH 62 G&D |
| 8 | 3313277 | 1 | WELD—VALVE HANDLE RH 62 G&D |
| 9 | 3313298 | 2 | LINK—U CONTROL SW62 GAS/DSL/LP |
| 10 | 3400103 | 2 | WASHER—LOCK 1/4 SPLIT ZP |
| 11 | 3400742 | 4 | RUE RING—1/4 HEAVY ZP |
| 12 | 3332426 | 1 | FTG-C5506X6 SWNLE 90 DEG#6 |
| 13 | 3400426 | 2 | PIN—CLEVIS 3/16 X 3/4 ZP |
| 14 | 3400470 | 2 | FTG—90' 9/16-18 TO #4 JIC |
| 15 | 3400250 | 1 | FTG—TEE SWIVEL 1/2 TUBE |
| 16 | 3400648 | 1 | FTG—ADPT ST THD 3/4-16 TO #6 |
| 17 | 3313014 | 2 | ORIFICE—CYL C&D CONTROL VALVE |
| 18 | 3318652 | 1 | HOSE-.25 AR 33.5" ST#4 ST#4 |
| 19 | 3307836 | 1 | HOSE-.25 AR 36" ST#4 90 #4(S) |
| 20 | 3338149 | 1 | HOSE-.25 AR 28.50" ST#6 45 #4(SL) |
| 21 | 3338230 | 1 | HOSE-.50 AR 25" ST#8 90 #8(S) |
| 22 | 3302408 | 1 | FTG-REDUCER TUBE END 8-4 |
| 23 | 3302409 | 1 | FTG-NUT #8 BTX-5 |
| 24 | 3338150 | 1 | HOSE-.25 AR 19.50" ST#6 45 #4(SL) |
| 25 | 3338163 | 1 | HOSE-.25 AR 79" ST#4 90 #4(S) |
| 26 | 3318731 | 1 | HOSE-.25 AR 90" ST#4 90 #4(S) |

HYDRAULIC MANIFOLD ASSEMBLY



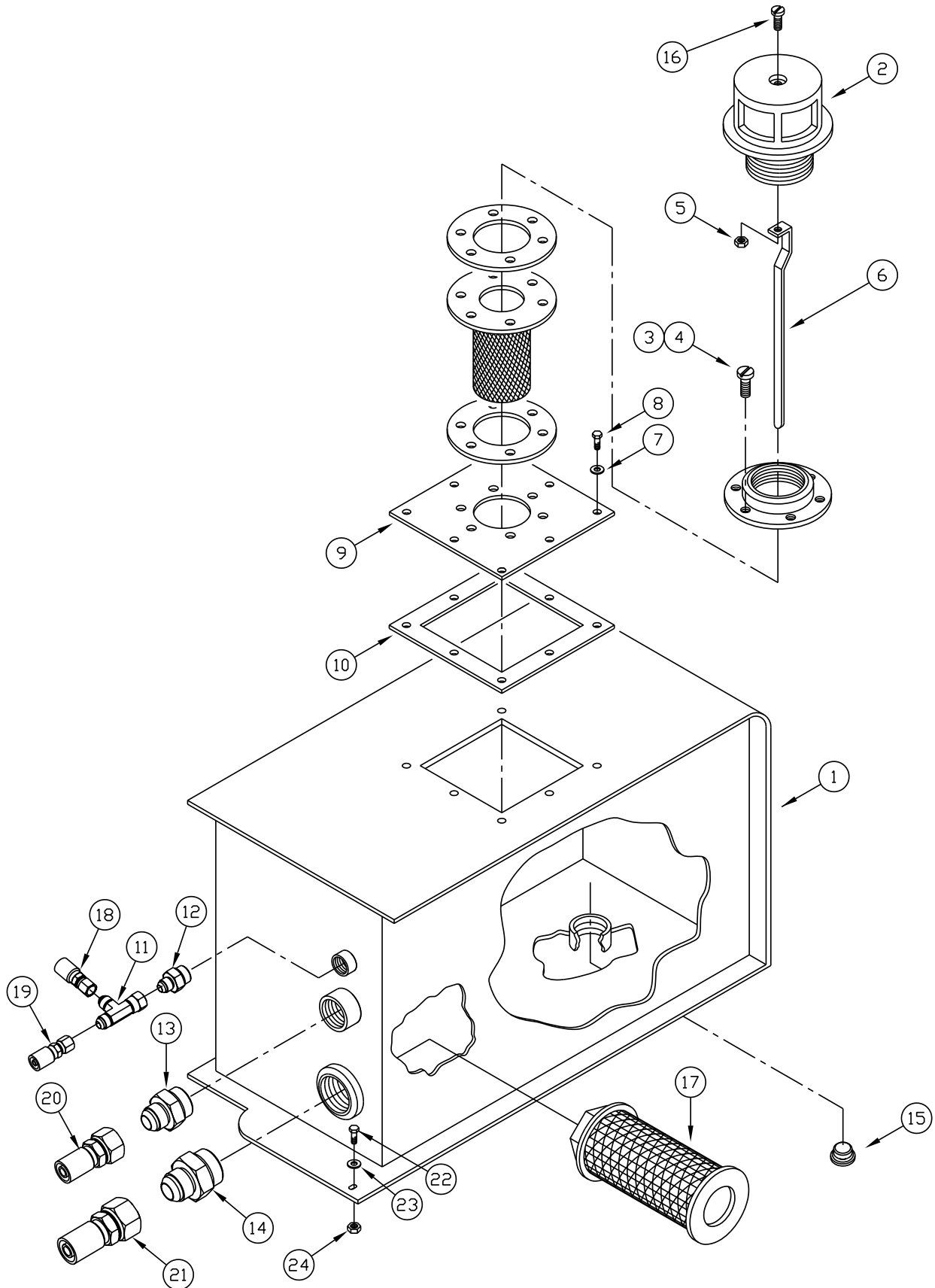
| HYDRAULIC MANIFOLD ASSEMBLY | | | |
|-----------------------------|----------|-----|------------------------------------|
| ITEM | PART NO. | QTY | DESCRIPTION |
| 1 | 3400035 | 4 | SCREW-HEX,5/16-18X1.00 ZP |
| 2 | 3338210 | 1 | MOUNT—HYD MANIFOLD SW/6XV |
| 3 | 3400036 | 4 | SCR—HEX,5/16-18X0.75 ZP |
| 4 | 3400102 | 4 | WASHER—LOCK 5/16 SPLIT ZP |
| 5 | 3400212 | 3 | FTG—ADAPTER 7/16-20 TO # 4 |
| 6 | 3400154 | 6 | FTG—90 3/4-16 TO #8 |
| 7 | 3400153 | 1 | FTG—90 9/16-18 TO #6 |
| 8 | 3338184 | 1 | FTG—.75 X .75 STR THD O-RING 90 EL |
| 9 | 3338183 | 1 | FTG—3/8 X 1/4 STR THD O-RING |
| 10 | 3300359 | 1 | FILTER—HYD |
| 11 | 3304899 | 1 | FTG—ADAP 3/4-16 TO 1/2 OD TUBE |
| 12 | 3302407 | 2 | FTG—90 EL 7/16-20 TO 1¼ TUBE |
| 13 | 3338187 | 1 | FTG—90 EL .25 –.38 STR THD O-RING |
| 14 | 3400635 | 1 | FTG—ADAPTOR CONNECTOR 9/16-18 |
| 15 | 3318652 | 1 | HOSE-.25 AR 33.5" ST#4 ST#4 |
| 16 | 3307836 | 1 | HOSE-.25 AR 36" ST#4 90 #4(S) |
| 17 | 3338160 | 1 | HOSE-.50 AR 70" ST#8 ST#8 |
| 18 | 3338151 | 1 | HOSE-.25 AR 34" ST#6 45 #4(SL) |
| 19 | 3338161 | 1 | HOSE-.50 AR 67" ST#10 90 #8(S) |
| 20 | 3338158 | 1 | HOSE-.50 AR 40" ST#8 90 #8(S) |
| 21 | 3318712 | 1 | HOSE-.50 AR 26" ST#8 ST#8 |
| 22 | 3338159 | 1 | HOSE-.50 AR 33.50" ST#8 ST#8 |
| 23 | 3338164 | 1 | HOSE-.50 AR 18" ST#8 ST#8 |
| 24 | 3338157 | 1 | HOSE-.25 AR 36" ST#4 90 #4(S) |
| 25 | 3338153 | 1 | HOSE-.50 AR 17" ST#8 90 #8(S) |
| 26 | 3338148 | 1 | HOSE-.375 AR 16.50" ST#8 90 #6(S) |
| 27 | 3338156 | 1 | HOSE-.25 AR 30.50" ST#4 90 #4(S) |
| 28 | 3338147 | 1 | HOSE-.25 AR 90.50" ST#4 90 #4(S) |
| 29 | 3338143 | 1 | HOSE-.75 AR 66" ST#12 90 #12(S) |
| 30 | 3338162 | 1 | HOSE-.375 AR 52" ST#6 ST#6 |
| 31 | 3400384 | 4 | WASHER-CONICAL SPRING 5/16 |
| 32 | 3400390 | 4 | NUT-FLANGE LOCK 5/16-18 |
| 33 | 3338100 | 1 | VALVE—HYD MANIFOLD SWEEPERS |

HYDRAULIC MANIFOLD



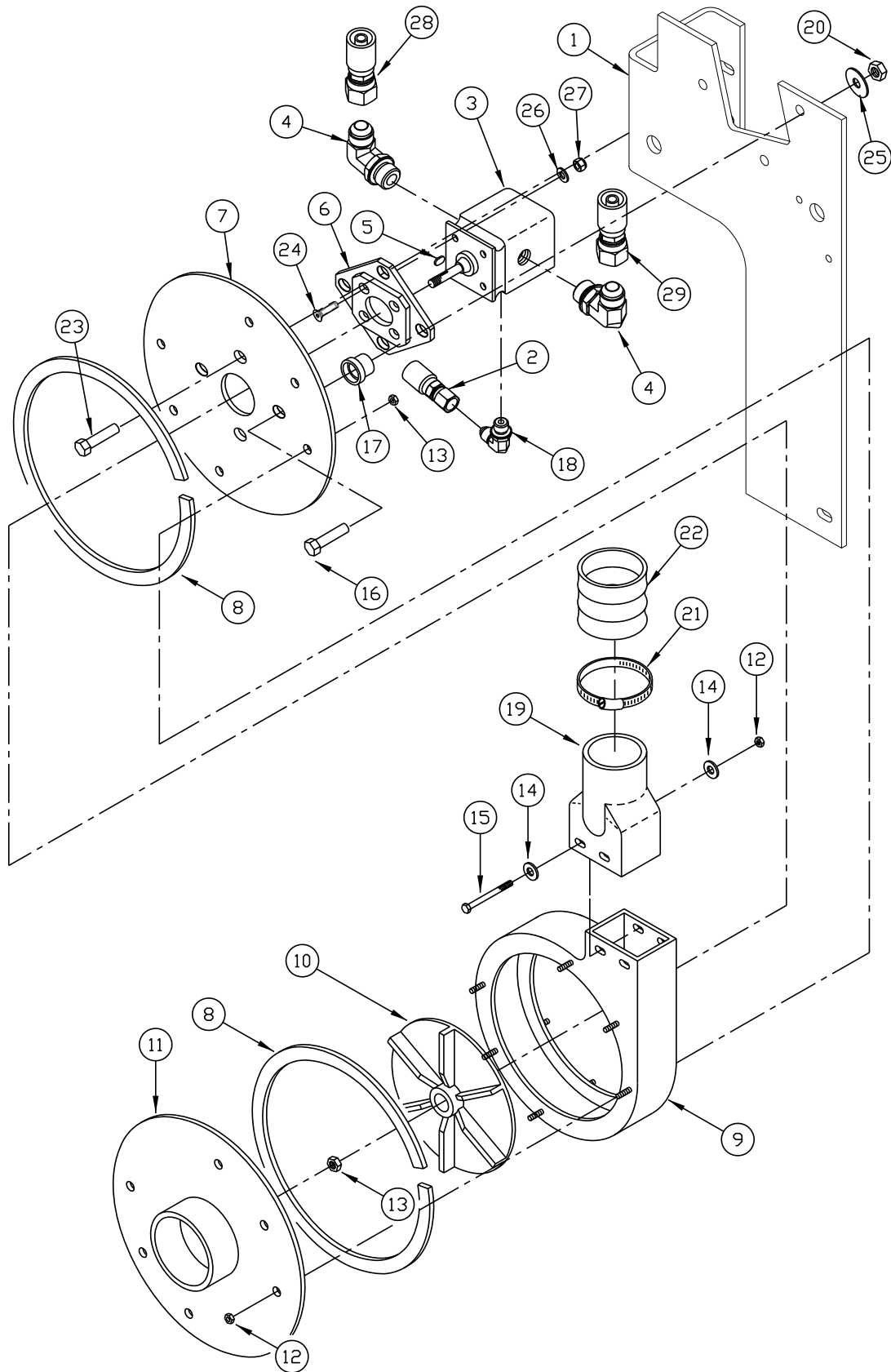
| HYDRAULIC MANIFOLD | | | |
|--------------------|----------|-----|-------------------------------|
| ITEM | PART NO. | QTY | DESCRIPTION |
| 1 | 3338101 | 3 | SOLENOID VALVE(SVC PART ONLY) |
| * | 3331353 | 3 | COIL-EATON SPECIAL |
| 2 | 3338102 | 1 | SOLENOID VALVE(SVC PART ONLY) |
| * | 3331353 | 1 | COIL-EATON SPECIAL |
| 3 | 3337629 | 1 | FLOW REGULATOR |
| 4 | 3337630 | 1 | RELIEF VALVE |
| 5 | 3337631 | 2 | POPPET |
| 6 | 3337632 | 1 | SPRING |
| 7 | 3337633 | 2 | SAE PLUG |
| 8 | 3337632 | 1 | SPRING |

HYDRAULIC RESERVOIR



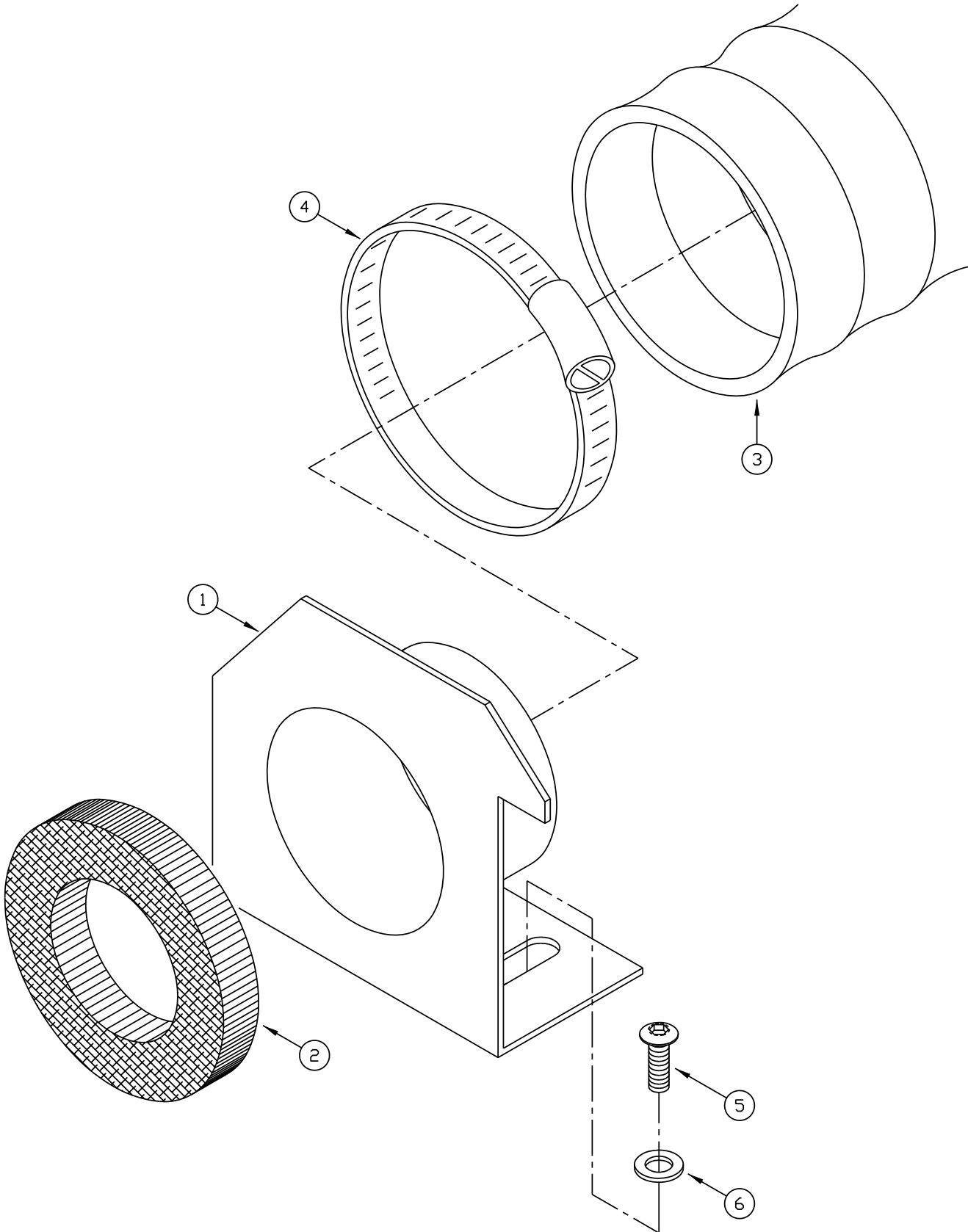
| HYDRAULIC RESERVOIR | | | |
|---------------------|----------|-----|--------------------------------|
| ITEM | PART NO. | QTY | DESCRIPTION |
| 1 | 3338019 | 1 | WELD—HYDRAULIC RESERVOIR |
| 2 | 3305576 | 1 | FILTER—BREATHING ASSEMBLY |
| 3 | 3400044 | 1 | SCR—HEX,#10-32X0.75 ZP |
| 4 | 3400172 | 1 | NUT—HEX JAM #10-32 ES ZP |
| 5 | 3400082 | 1 | NUT—HEX #8-32 ES ZP |
| 6 | 3312273 | 1 | DIPSTICK—HYD SW/62 DSL |
| 7 | 3302219 | 2 | FTG—90 9/16-18 TO #4 JIC |
| 8 | 3400040 | 1 | SCR—HEX,1/4-20X1.00 ZP |
| 9 | 3332336 | 1 | COVER-RESERVIOR 6XV |
| 10 | 3300007 | 1 | GASKET—SOLUTION TANK |
| 11 | 3400851 | 1 | FTG—TEE (6R6X-S) |
| 12 | 3400648 | 1 | FTG—ADPT ST THD 3/4-16 TO #6 |
| 13 | 3402003 | 1 | FTG-ADAPTER STRAIGHT#12 TO #16 |
| 14 | 3400847 | 1 | FTG—STR CONN (16FTX-S) |
| 15 | 3400164 | 1 | FTG—PLUG 3/4-16 O RING |
| 16 | 3400045 | 1 | SCR—PAN,#8-32X0.62,SLT ZP |
| 17 | 3307573 | 1 | STRAINER—HYDRAULIC TM-15 |
| 18 | 3338165 | 1 | HOSE-.25 AR 15.50" ST#4 ST#6 |
| 19 | 3338162 | 1 | HOSE-.375 AR 52" ST#6 ST#6 |
| 20 | 3338144 | 1 | HOSE-.75 AR 69" ST#12 ST#12 |
| 21 | 3338142 | 1 | HOSE-1"AR 22" ST#16 45 #16(S) |
| 22 | 3400029 | 4 | SCREW-HEX, 3/8-16X1.25 ZP |
| 23 | 3400385 | 4 | WASHER-CONICAL SPRING 3/8 |
| 24 | 3400392 | 4 | NUT-FLANGE LOCK 3/8-16 |

IMPELLER



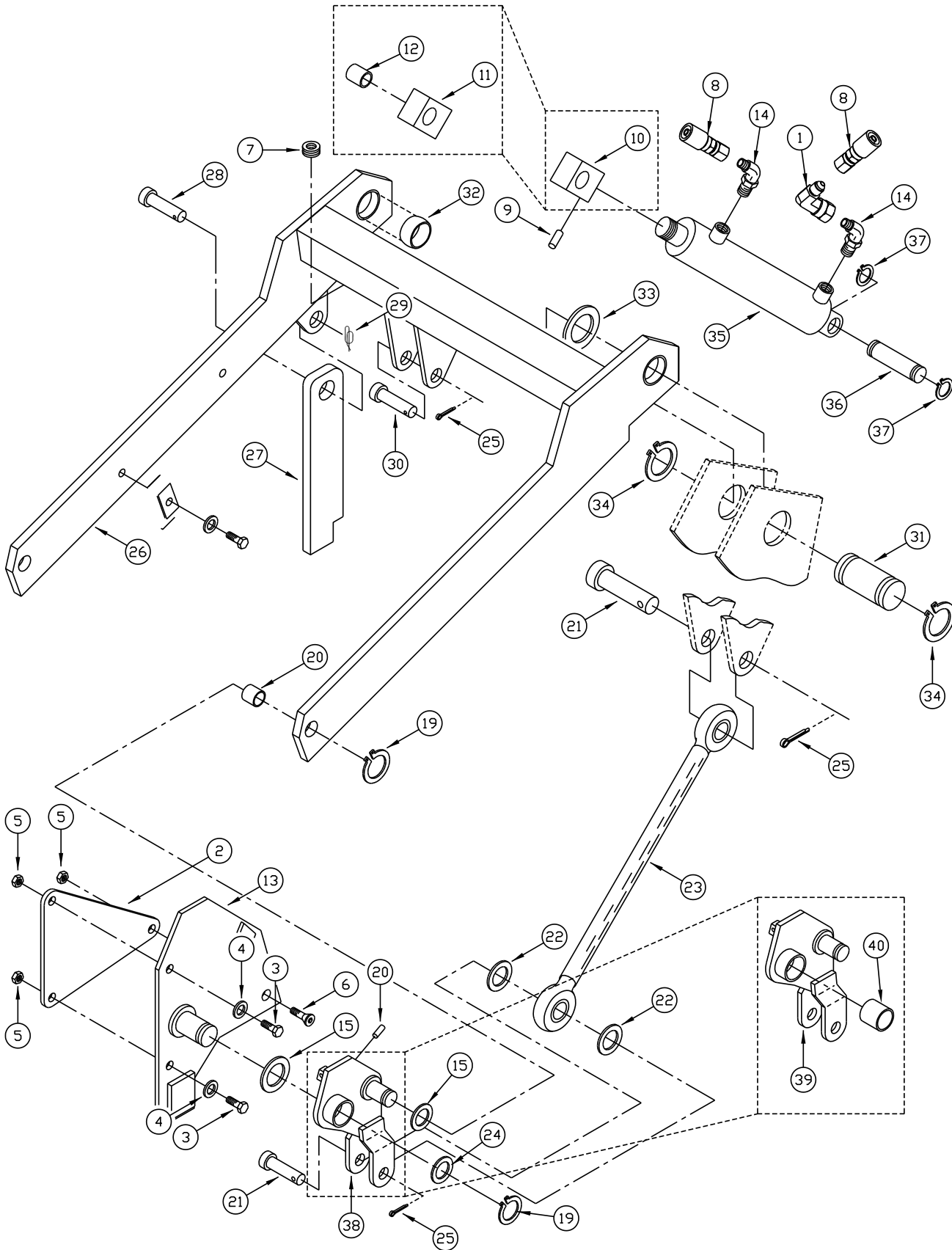
| IMPELLER | | | |
|----------|----------|---------|--|
| ITEM | PART NO. | QTY | DESCRIPTION |
| 1 | 3338016 | 1 | MOUNT—IMPELLER |
| 2 | 3338165 | 1 | HOSE-.25 AR 15.50" ST#4 ST#6 |
| 3 | 3313008 | 1 | MOTOR—HYDRAULIC IMPELLER |
| 4 | 3400154 | 1 | FTG—90 3/4-16 TO #8 |
| 5 | 3300344 | 1 | KEY 1/8 X 1/8 X 3/4 |
| 6 | 3307152 | 1 | WELD—IMPELLER MOTOR MNT PNTD |
| 7 | 3322121 | 1 | MOUNT—IMPELLER MOTOR PNTD |
| 8 | 3500246 | 2.5 FT. | GASKET-OPEN CELL, 1/8X3/4 |
| 9 | 3307004 | 1 | SHROUD—IMPELLER PNTD |
| 10 | 3307003 | 1 | IMPELLER—ARMA CASTING & MACHIN |
| 11 | 3311334 | 1 | ASSEMBLY—IMPELLER INLET PLATE PNTD |
| 12 | 3400081 | 14 | NUT—HEX 1/4-20 ES ZP |
| 13 | 3400420 | 1 | NUT—HEX 5/16-24 ES |
| 14 | 3400089 | 4 | WASHER—FLAT 1/4 STANDARD ZP |
| 15 | 3402008 | 2 | SCR—HEX 1/4-20 X 3.75 ZP |
| 16 | 3400027 | 3 | SCR—HEX 3/8-16 X 1.75 ZP |
| 17 | 3300465 | 4 | MOUNT—ISOLATION |
| 18 | 3302407 | 1 | FTG-90 ELL 7/16-20 TO 1/4 TUBE |
| 19 | 3315347 | 1 | EXHAUST—IMPELLER 9XV |
| 20 | 3400079 | 4 | NUT—HEX 3/8-16 ES ZP |
| 21 | 3305681 | 1 | CLAMP-HOSE 4 1/2 NOM |
| 22 | 3338227 | 1 | HOSE-IMPELLER EXHAUST, 3.5 DIA X 30 LG |
| 23 | 3400028 | 1 | SCREW-HEX, 3/8-16 X 1.50 ZP |
| 24 | 3400016 | 4 | SCREW-FLT, 5/16-18 X 1.25, SOC ZP |
| 25 | 3400278 | 4 | WASHER-FENDER 3/8 ZP |
| 26 | 3400088 | 4 | WASHER-FLAT 5/16 IDX.688 ODX.065 THK |
| 27 | 3400080 | 4 | NUT-HEX 5/16-18 ES ZP |
| 28 | 3338164 | 1 | HOSE-.50 AR 18" ST#8 ST#8 |
| 29 | 3338153 | 1 | HOSE-.50 AR 17" ST#8 90 #8(S) |

GASKET MOUNT



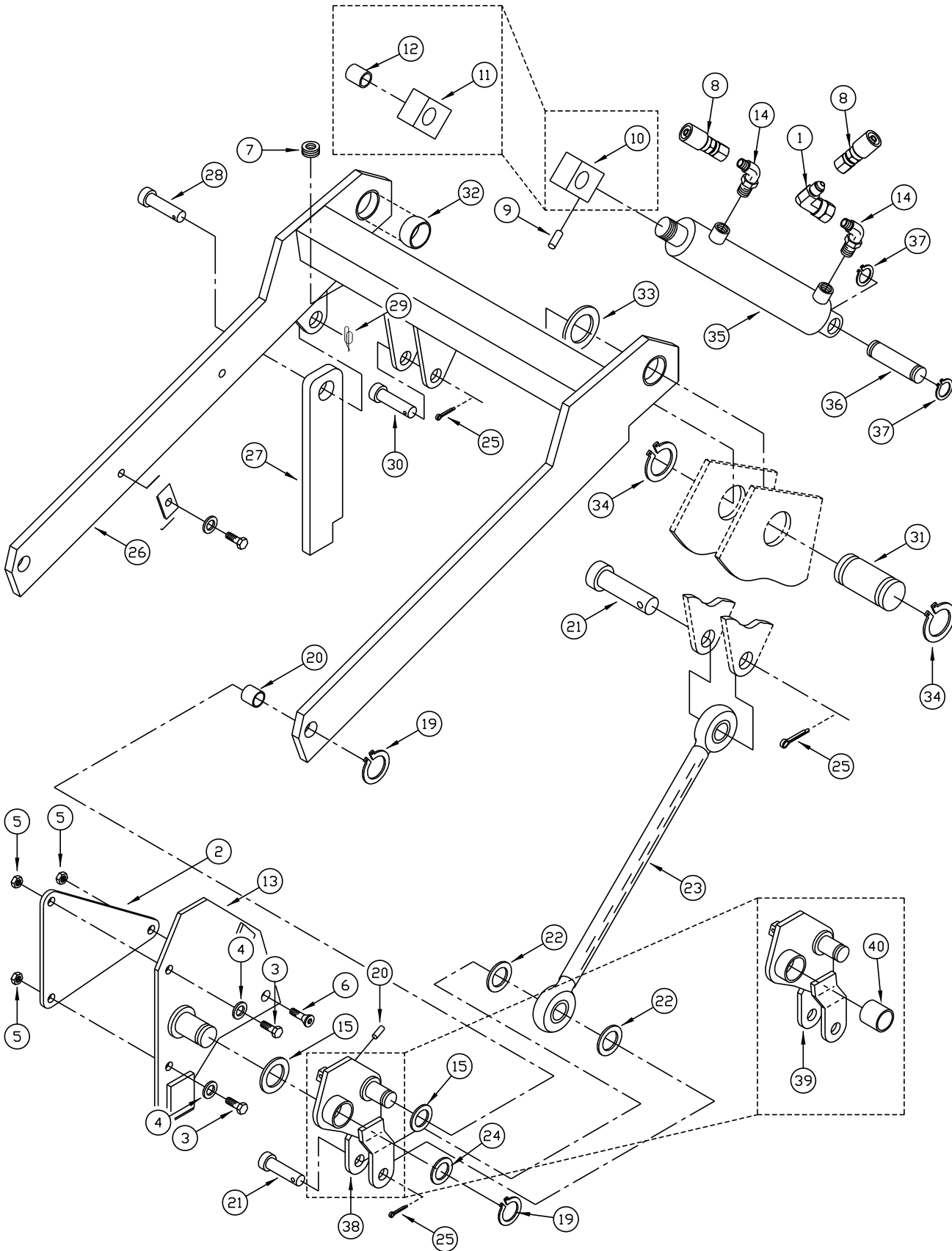
| GASKET MOUNT | | | |
|--------------|----------|-----|---------------------------|
| ITEM | PART NO. | QTY | DESCRIPTION |
| 1 | 3318473 | 1 | WELD—GASKET MOUNT |
| 2 | 3307005 | 1 | GASKET—IMPELLER |
| 3 | 3309034 | 1 | HOSE—IMPELLER |
| 4 | 3300351 | 1 | CLAMP—HOSE 4½" DIA. |
| 5 | 3400790 | 2 | SCREW—BHSCS .375-16 X 1 |
| 6 | 3400385 | 2 | WASHER—CONICAL SPRING 3/8 |

LIFT ARM PART 1



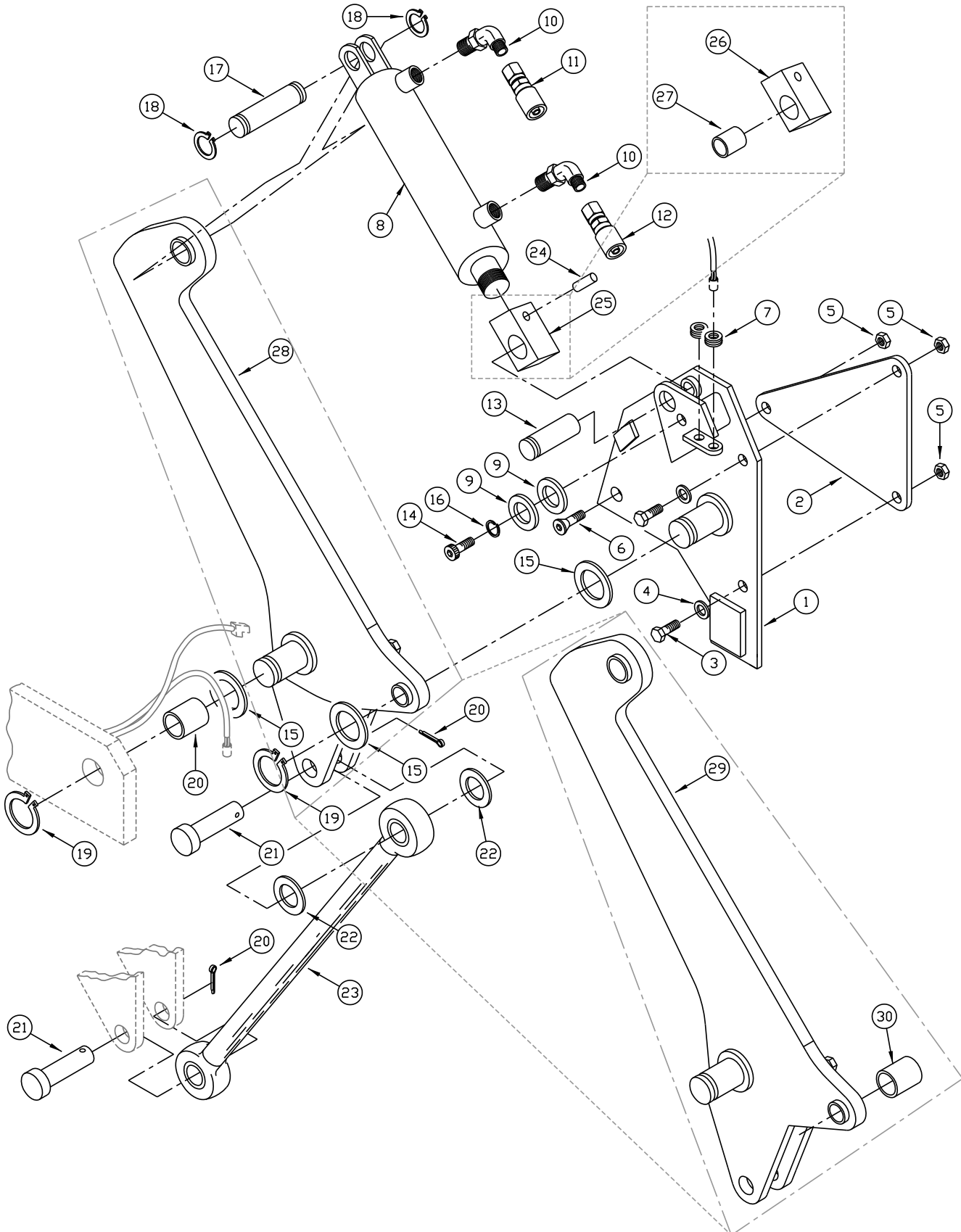
| LIFT ARM PART 1 | | | |
|-----------------|----------|-----|--|
| ITEM | PART NO. | QTY | DESCRIPTION |
| 1 | 3400245 | 1 | FTG-SWIVEL 90 ELL #4 JIC |
| 2 | 3311244 | 2 | PLATE—HOPPER DOUBLER |
| 3 | 3400030 | 4 | BOLT—3/8-16 X 1.0 LONG |
| 4 | 3400087 | 4 | WASHER—3/8 FLAT |
| 5 | 3400392 | 6 | NUT 3/8-16 FLANGE LOCK |
| 6 | 3400444 | 2 | SCREW—FLAT HD 3/8-16 X 1.0 |
| 7 | 3301665 | 3 | GROMMET—Z2056 |
| 8 | 3318652 | 2 | HOSE-.25 AR 33.5" ST#4 ST#4 |
| 9 | 3400054 | 2 | SCREW- SET 1/4-20 X .25 LONG ZP |
| 10 | 3319089 | 1 | ASSY- BLOCK CYL (INCLUDES ITEMS 11 & 12) |
| 11 | 3300229 | 1 | ASSEMBLY—BLOCK CYLINDER PLTD |
| 12 | 3300552 | 1 | BEARING—1.0ID X 1.50LG |
| 13 | 3311212 | 1 | ASSEMBLY—ROTATION PLATE LH |
| 14 | 3302407 | 4 | FTG-90 ELL 7/16-20 TO 1/4 TUBE |
| 15 | 3311458 | 4 | BEARING—FIBERGLIDE LTD-2442 |
| 16 | 3305398 | 2 | CLAMP-HYD HOSE, PLATED |
| 17 | 3400385 | 2 | WASHER-CONICAL SPRING 3/8 |
| 18 | 3400029 | 2 | SCREW-HEX, 3/8-16X1.25 ZP |
| 19 | 3311330 | 4 | RETAINING RING 5100-150 |
| 20 | 3400446 | 4 | SCREW—SET 3/8-24 X 1.25 ZP |
| 21 | 3400439 | 2 | PIN—CLEVIS 3/4 X 2.00 |
| 22 | 3311012 | 4 | WASHER—HI-DUMP SPACER SEC. ARM |
| 23 | 3311216 | 2 | ASSEMBLY—SECONDARY LIFT ARM |
| 24 | 3311295 | 2 | WASHER-SPACER LIFT PINS ZP |
| 25 | 3400121 | 5 | PIN-COTTER 5/32 X 1.50 ZP |
| 26 | 3338096 | 1 | WELD—LIFT ARM |
| 27 | 3311316 | 1 | SAFETY ARM PAINTED |
| 28 | 3400462 | 1 | PIN—CLEVIS 5/8 X 1.5 |
| 29 | 3400124 | 1 | PIN—COTTER 5/8 RUE-RING |
| 30 | 3400472 | 1 | PIN—CLEVIS 1.0 X 3.0 ZP |

LIFT ARM PART 1 (CONTINUED)



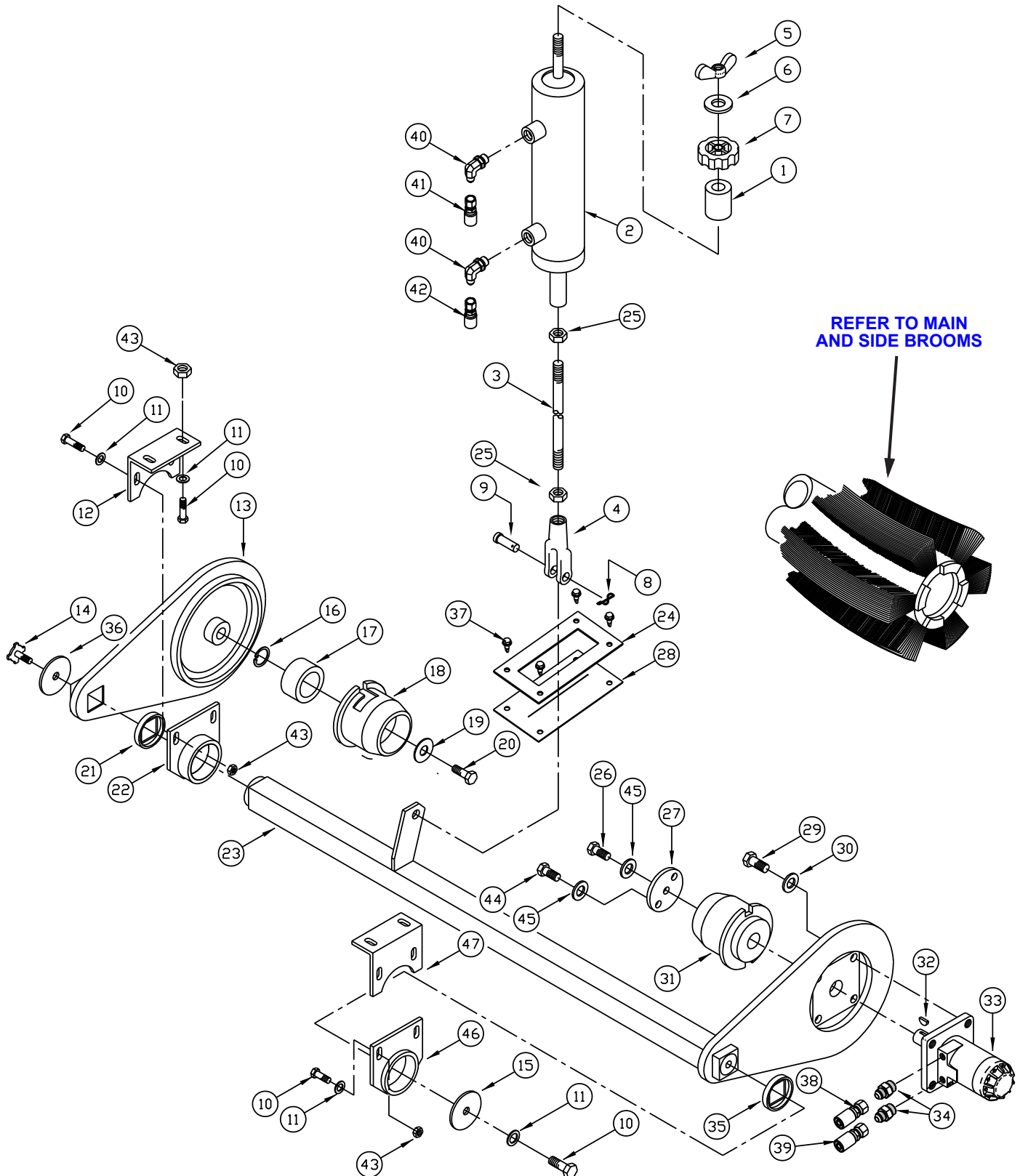
| LIFT ARM PART 1 | | | |
|-----------------|----------|-----|---|
| ITEM | PART NO. | QTY | DESCRIPTION |
| 31 | 3318415 | 2 | PIN-LIFT ARM ROTATION |
| 32 | 3300836 | 2 | BEARING—2.18OD X 2.00ID X .75 |
| 33 | 3300882 | 4 | WASHER-HD 3.25 ODX2.00 ID |
| 34 | 3301709 | 4 | RING-RETAINING, EXT 2.00 DIA |
| 35 | 3318711 | 1 | CYLINDER3"BORE X 13.25 STROKE |
| | 3330887 | 1 | KIT—CYLINDER SEAL (GREEN MFG) |
| | 3331331 | 1 | KIT—CYLINDER SEAL (GOLD STAR) |
| 36 | 3307408 | 1 | PIN—CYLINDER MOUNT |
| 37 | 3307431 | 2 | RING—RETAIING 5100-125 |
| 38 | 3311724 | 1 | ASSY- LIFT ARM IDLER (INCLUDES ITEMS 39 & 40) |
| 39 | 3311198 | 1 | ASSEMBLY—LIFT ARM IDLER |
| 40 | 3311457 | 2 | BEARING—FIBERGLIDE CJS-2428 |

LIFT ARM PART 2



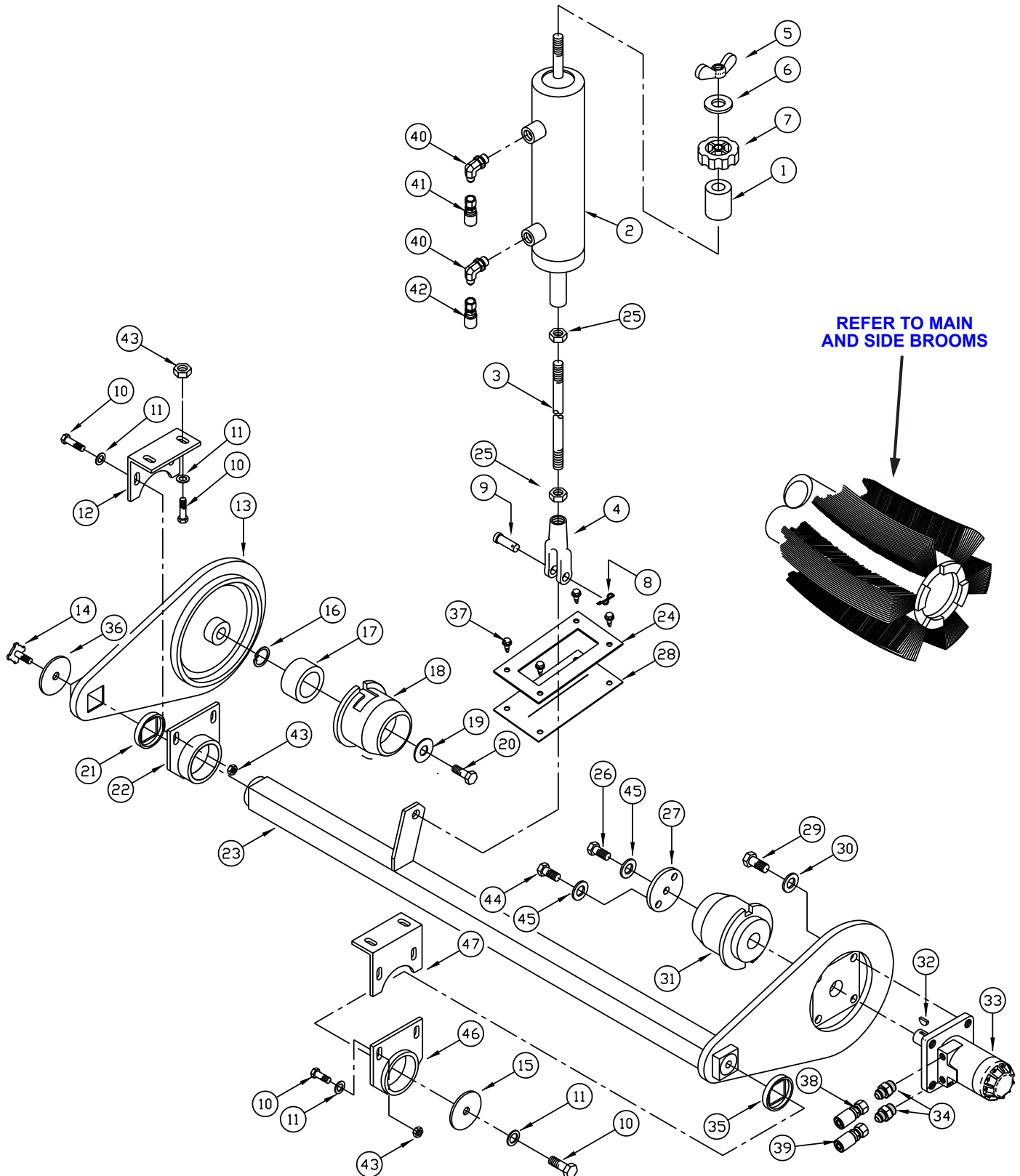
| LIFT ARM PART 2 | | | |
|-----------------|----------|-----|---|
| ITEM | PART NO. | QTY | DESCRIPTION |
| 1 | 3311206 | 1 | WELD—ROTATION PLATE RH |
| 2 | 3311244 | 2 | PLATE—HOPPER DOUBLER |
| 3 | 3400030 | 4 | BOLT—3/8-16 X 1.0 LONG |
| 4 | 3400087 | 4 | WASHER—3/8 FLAT |
| 5 | 3400392 | 6 | NUT 3/8-16 FLANGE LOCK |
| 6 | 3400444 | 2 | SCREW—FLAT HD 3/8-16 X 1.0 |
| 7 | 3301665 | 3 | GROMMET—Z2056 |
| 8 | 3316890 | 1 | CYLINDER-HYD, ROTATION SINGLE SW/A |
| 9 | 3400092 | 2 | WASHER—3/8 FENDER |
| 10 | 3302407 | 4 | FTG-90 ELL 7/16-20 TO 1/4 TUBE |
| 11 | 3318731 | 1 | HOSE-.25 AR 90" ST#4 90 #4(S) |
| 12 | 3338163 | 1 | HOSE-.25 AR 79" ST#4 90 #4(S) |
| 13 | 3311213 | 1 | PIN—ROTATION PLATE CYLINDER ZP |
| 14 | 3400219 | 1 | BOLT 5/16-18 X .50 ZP |
| 15 | 3311458 | 4 | BEARING—FIBERGLIDE LTD-2442 |
| 16 | 3400102 | 1 | WASHER—LOCK 5/16 SPLIT ZP |
| 17 | 3307607 | 1 | PIN—CYL RETAINING |
| 18 | 3301998 | 2 | RETAINING RING |
| 19 | 3311330 | 4 | RETAINING RING 5100-150 |
| 20 | 3400121 | 5 | PIN-COTTER 5/32 X 1.50 ZP |
| 21 | 3400439 | 2 | PIN—CLEVIS 3/4 X 2.00 |
| 22 | 3311012 | 4 | WASHER—HI-DUMP SPACER SEC. ARM |
| 23 | 3311216 | 2 | ASSEMBLY—SECONDARY LIFT ARM |
| 24 | 3400054 | 2 | SCREW— SET 1/4-20 X .25 LONG ZP |
| 25 | 3319089 | 1 | ASSY- BLOCK CYL (INCLUDES ITEMS 26 & 27) |
| 26 | 3300229 | 1 | ASSEMBLY—BLOCK CYLINDER PLTD |
| 27 | 3300552 | 1 | BEARING—1.0ID X 1.50LG |
| 28 | 3311722 | 1 | ASSY- LIFT ARM CYLMNT (INCLUDES ITEM 29 & 30) |
| 29 | 3311200 | 1 | ASSEMBLY—LIFT ARM CYLINDER MOUNT |
| 30 | 3311457 | 2 | BEARING—FIBERGLIDE CJS-2428 |

MAIN BROOM ASSEMBLY



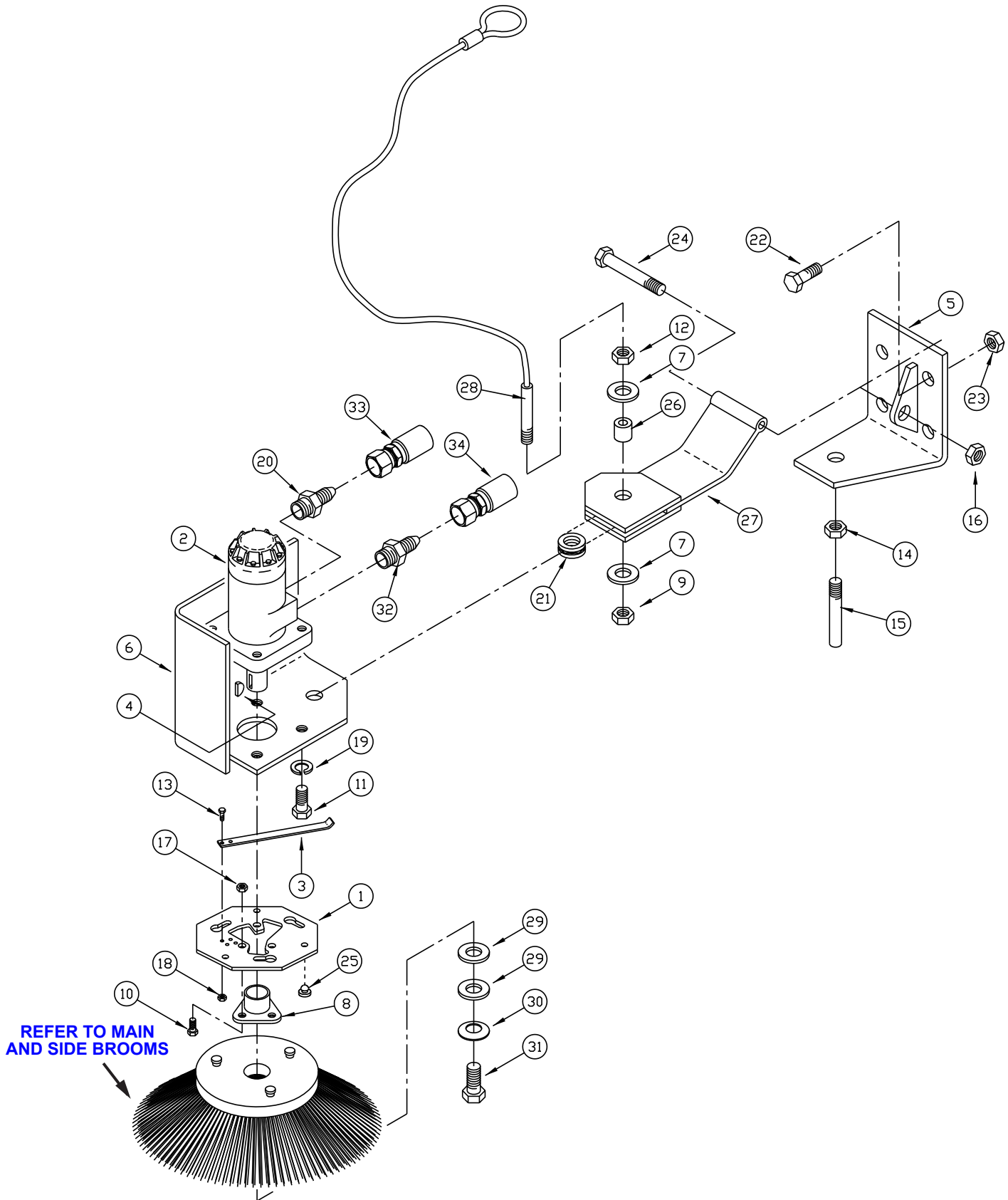
| MAIN BROOM ASSEMBLY | | | |
|---------------------|----------|-----|--|
| ITEM | PART NO. | QTY | DESCRIPTION |
| 1 | 3307181 | 1 | SPACER-MAIN BROOM SW/A PLTD |
| 2 | 3338129 | 1 | CYLINDER—MAIN BROOM LIFT SW6XV |
| 3 | 3338192 | 1 | ROD—MAIN BROOM LIFT SW/6XV |
| 4 | 3301447 | 1 | CLEVIS—3/8-24 |
| 5 | 3400084 | 1 | NUT—WING 1/2-13 ZP |
| 6 | 3400091 | 1 | WASHER—FENDER 1/2 ZP |
| 7 | 3300352 | 1 | KNOB—MB LIFT HDJ |
| 8 | 3400125 | 1 | PIN—COTTER 3/8 RUE RING |
| 9 | 3400117 | 1 | PIN—CLEVIS 3/8 X 1-1/8 |
| 10 | 3400030 | 5 | SCREW—HEX 3/8-16 X 1.00 |
| 11 | 3400385 | 5 | WASHER—CONICAL SPRING 3/8 |
| 12 | 3318675 | 1 | ANGLE—MAIN BROOM TUBE BRG MNT |
| 13 | 3311147 | 1 | ASSEMBLY—MAIN BROOM IDLER ARM PNTD |
| 14 | 3318429 | 1 | KNOB—MB IDLER RETAINER |
| 15 | 3311013 | 1 | WASHER—MAIN BROOM RETAINER PLTD |
| 16 | 3300475 | 1 | RING—RET INT 2.06 |
| 17 | 3309618 | 1 | BEARING—STEERING ARM 205PP |
| 18 | 3301051 | 1 | HUB—BROOM IDLER PNTD |
| 19 | 3400091 | 1 | WASHER—FENDER 1/2 ZP |
| 20 | 3400022 | 1 | SCR—HEX 1/2-13 X 1.25 ZP |
| 21 | 3311022 | 1 | BUSHING—MAIN BROOM |
| 22 | 3311161 | 1 | WELDMENT—MAIN BROOM TUBE BRG MNT R / H |
| 23 | 3338043 | 1 | WELD—PIVOT TUBE |
| 24 | 3311425 | 1 | RETAINER-MB LEVER SEAL PLTD |
| 25 | 3400075 | 2 | NUT-HEX JAM 3/8-24 ZP |
| 26 | 3400049 | 3 | SCR—SOC 1/4-20 X 0.75 ZP NYLOCK |
| 27 | 3301285 | 1 | RETAINER—DR HUB PLTD |
| 28 | 3311424 | 1 | SEAL-MAIN BROOM LEVER |
| 29 | 3400032 | 4 | SCR—HEX 3/8-16 X 0.75 ZP |
| 30 | 3400101 | 4 | WASHER—LOCK 3/8 SPLIT ZP |

MAIN BROOM ASSEMBLY (CONTINUED)



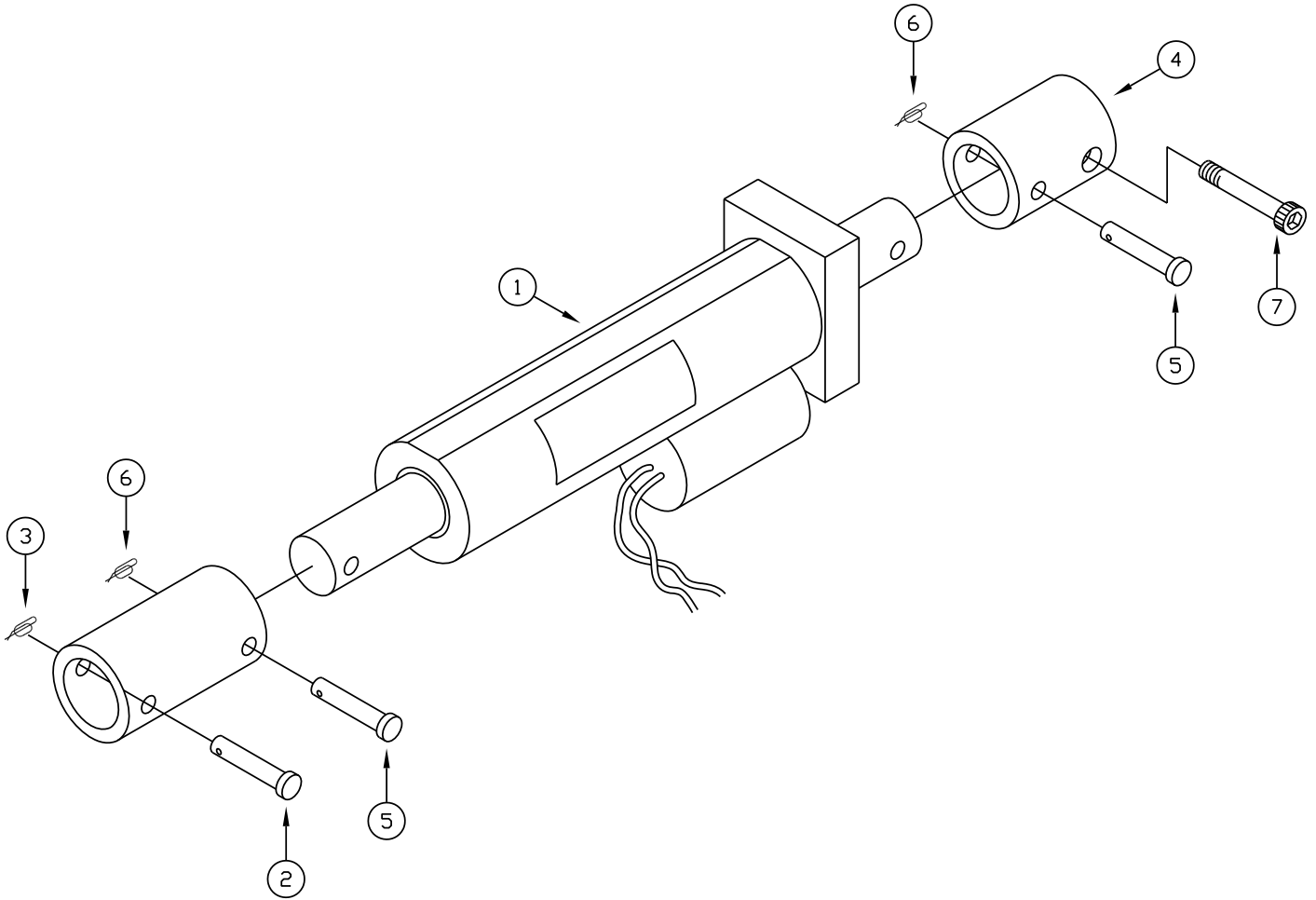
| MAIN BROOM ASSEMBLY | | | |
|---------------------|----------|-----|---|
| ITEM | PART NO. | QTY | DESCRIPTION |
| 31 | 3301050 | 1 | HUB—MAIN BROOM DRIVE PNTD |
| 32 | 3302082 | 1 | KEY—HYD MOTOR CURB BROOM |
| 33 | 3316894 | 1 | MOTOR—HYDRAULIC MAIN BROOM 621C THRU 77 |
| 34 | 3400151 | 2 | FTG—STR 7/8-14 TO #8 |
| 35 | 3311022 | 1 | BUSHING—MAIN BROOM PLASTIC |
| 36 | 3307818 | 1 | SPACER-SHOCK DISK PLTD |
| 37 | 3311374 | 4 | SCREW-HEX,1/4-14X3/4 SELF TAP |
| 38 | 3338158 | 1 | HOSE-.50 AR 40" ST#8 90 #8(S) |
| 39 | 3338159 | 1 | HOSE-.50 AR 33.50" ST#8 ST#8 |
| 40 | 3302407 | 2 | FTG-90 ELL 7\16-20 TO 1\4 TUBE |
| 41 | 3338156 | 1 | HOSE-.25 AR 30.50" ST#4 90 #4(S) |
| 42 | 3338157 | 1 | HOSE-.25 AR 36" ST#4 90 #4(S) |
| 43 | 3400392 | 4 | NUT-FLANGE LOCK 3/8-16 |
| 44 | 3400049 | 3 | SCR—SOC 1/4-20 X 0.75 NYLOCK |
| 45 | 3400103 | 3 | WASHER—LOCK 1/4 SPLIT ZP |
| 46 | 3318674 | 1 | BEARING—MOUNT L / H |
| 47 | 3318634 | 1 | ANGLE—L / H |

SIDE BROOM ASSEMBLY



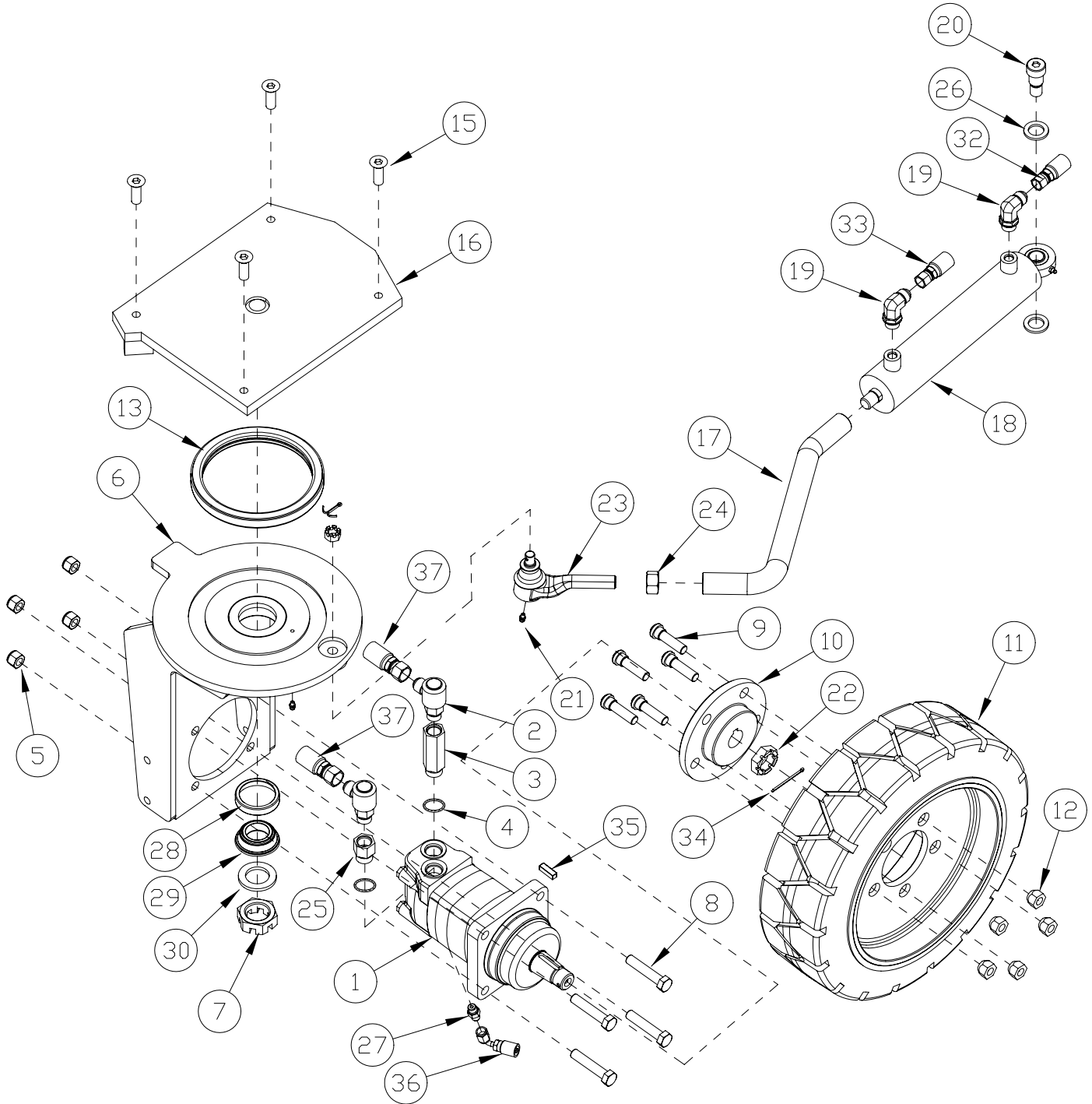
| SIDE BROOM ASSEMBLY | | | |
|---------------------|----------|-----|---------------------------------|
| ITEM | PART NO. | QTY | DESCRIPTION |
| 1 | 3301262 | 1 | PLATE—GIMBAL SCHD |
| 2 | 3316897 | 1 | MOTOR—HYD CURB BRM |
| 3 | 3302058 | 1 | RETAINER—BRUSH |
| 4 | 3302082 | 1 | KEY—HEX HYD MOTOR |
| 5 | 3313202 | 1 | ASSEMBLY—MOUNT CURB BROOM |
| 6 | 3313207 | 1 | MOUNT—CURB BROOM MOTOR |
| 7 | 3400233 | 2 | WASHER—FLAT 5/16 |
| 8 | 3313212 | 1 | WELD—GIMBLE PLATE 62/72 GAS/DS |
| 9 | 3400420 | 1 | NUT-HEX 5/16-24 ES |
| 10 | 3400030 | 3 | SCREW—HEX 3/8-16 X 1.0 |
| 11 | 3400032 | 4 | SCREW—HEX 3/8-16 X .75 |
| 12 | 3400069 | 1 | NUT—HEX 5/16-24 ZP |
| 13 | 3400042 | 2 | SCREW—HEX 1/4-20 X .75 |
| 14 | 3400064 | 1 | NUT-HEX 1/2-20 ZP |
| 15 | 3400404 | 1 | SCREW-SET,1/2-20X3.00 ZP |
| 16 | 3400078 | 2 | NUT—ES 1/2-13 |
| 17 | 3400079 | 3 | NUT—HEX ES 3/8-16 |
| 18 | 3400081 | 2 | NUT—HEX ES 1/4-20 |
| 19 | 3400101 | 4 | WASHER—LOCK 3/8 |
| 20 | 3400151 | 1 | FTG—STR 7/8-14 TO #8 |
| 21 | 3400178 | 2 | BRG—THRUST .531ID X 1.00OD |
| 22 | 3400030 | 4 | SCREW—HEX 3/8-16 X 1.0 |
| 23 | 3400079 | 4 | NUT—HEX ES 3/8-16 |
| 24 | 3400018 | 1 | SCREW—HEX 1/2-13 X 4.00 ZP |
| 25 | 3300526 | 3 | BUMPER-RUBBER 1/4 ID X 1/8 THK |
| 26 | 3307241 | 1 | SPACER—HAND BRAKE PLTD SW/A |
| 27 | 3313203 | 1 | ASSEMBLY—ARM SIDE BROOM |
| 28 | 3318885 | 1 | CABLE—CURB BRM LIFT 62/72 |
| 29 | 3400278 | 2 | WASHER—FENDER 3/8 |
| 30 | 3400383 | 1 | WASHER—CONICAL SPRING 1/4 |
| 31 | 3400049 | 1 | SCREW—SOC,1/4-20X0.75 ZP NYLOCK |
| 32 | 3402009 | 1 | FTG—CHECK VALVE |
| 33 | 3338160 | 1 | HOSE-.50 AR 70" ST#8 ST#8 |
| 34 | 3338161 | 1 | HOSE-.50 AR 67" ST#10 90 #8(S) |

SIDE BROOM ACTUATOR



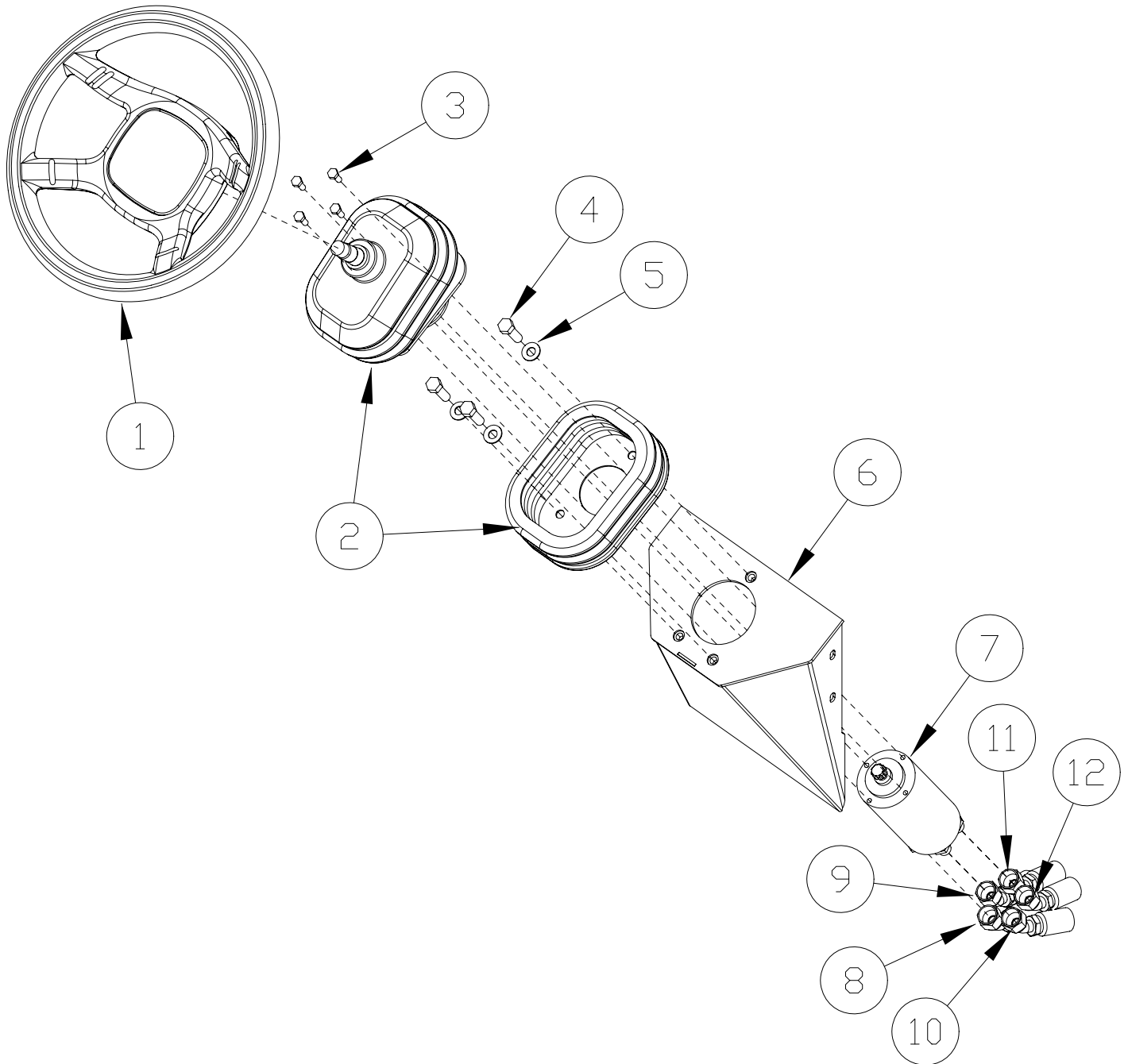
| SIDE BROOM ACTUATOR | | | |
|---------------------|----------|-----|--------------------------------|
| ITEM | PART NO. | QTY | DESCRIPTION |
| - | 3318883 | 1 | KIT/FLD—CURB BRM LIFT SW/62/72 |
| 1 | 3318886 | 1 | ACTUATOR—CURB BRM 12V 4"STROKE |
| 2 | 3400117 | 1 | PIN—CLEVIS 3/8 X 1-1/8 ZP |
| 3 | 3400125 | 1 | PIN—COTTER 3/8 RUE-RING |
| 4 | 3318884 | 2 | ADAPTER-CURB BRM ACTUATOR |
| 5 | 3318887 | 2 | PIN—CLEVIS 1/4 X 1-1/8 |
| 6 | 3400742 | 2 | RUE RING—1/4 HEAVY ZP |
| 7 | 3400726 | 1 | BOLT—SHOULDER 3/8 X 1-1/4 |

STEERING ASSEMBLY



| STEERING ASSEMBLY | | | |
|-------------------|----------|-----|-----------------------------------|
| ITEM | PART NO. | QTY | DESCRIPTION |
| 1 | 3301534 | 1 | MOTOR—HYD 2000 SERIES PNTD |
| 2 | 3400169 | 2 | FTG—SWIVEL 3/4-16 TO #8 |
| 3 | 3302349 | 1 | FTG—SPECIAL WHEEL MOTOR |
| 4 | 3302360 | 2 | O-RING—.755ID X .098 W |
| 5 | 3400078 | 4 | NUT—HEX 1/2-13 ES ZP |
| 6 | 3338080 | 1 | WELD—STEERING FORK |
| 7 | 3400083 | 1 | NUT—HEX JAM 1 1/4-12 ES ZP |
| 8 | 3400019 | 4 | SCR—HEX 1/2-13 X 2.50 ZP |
| 9 | 3300415 | 5 | STUD—WHEEL HUB |
| 10 | 3301018 | 1 | HUB—REAR WHEEL PNTD MS |
| 11 | 3318690 | 1 | WHEEL—5 X 10.5 X 16 MOLDED |
| 12 | 3300411 | 5 | NUT—WHEEL LUG |
| 13 | 3300472 | 1 | BRG—THRUST 5.812ID X 7.00OD |
| 14 | 3400188 | 1 | NUT—HEX JAM 1/2-20 ES |
| 15 | 3401022 | 4 | SCREW-FLT, 1/2-13 X 1.00 SOC |
| 16 | 3330642 | 1 | FORK MNT 6X PLT |
| 17 | 3318420 | 1 | LINK—STEERING SW/72 |
| 18 | 3318452 | 1 | CYLINDER—STEERING |
| 19 | 3400634 | 2 | FTG—ADAPTOR 90 DEG ELBOW 1/2-20 |
| 20 | 3400814 | 1 | BOLT—SHOULDER .75 DIA X .75 LG |
| 21 | 3400012 | 2 | FTG—GREASE |
| 22 | 3400223 | 1 | NUT—HEX SLOTTED 11/16-18 ZP |
| 23 | 3300466 | 1 | BALL JOINT—STEERING |
| 24 | 3400313 | 1 | NUT—HEX 11/16-18 ZP |
| 25 | 3400166 | 1 | FITTING ADAPTER 7/8-14 EXT TO 3/4 |
| 26 | 3311012 | 2 | WASHER-HD SPACER SEC LIFT ARM |
| 27 | 3400212 | 1 | FTG—ADAPTER 7/16-20 TO # 4 |
| 28 | 3300470 | 1 | BEARING-TAPERED ROL CUP |
| 29 | 3300471 | 1 | BEARING-TAPERED ROLCONE W/SEAL |
| 30 | | 1 | |
| 31 | 3400392 | 2 | NUT—FLANGE LOCK 3/8-16 |
| 32 | 3338154 | 1 | HOSE-.375 AR 23" ST#6 90 #6(S) |
| 33 | 3333480 | 1 | HOSE-.375 AR 33.50" ST#6 90 #6(S) |
| 34 | 3400122 | 2 | PIN-COTTER 1/8 X 2.00 ZP |
| 35 | 3303138 | 1 | KEY-2000 HYD MS (SP) |
| 36 | 3338147 | 1 | HOSE-.25 AR 90.50" ST#4 90 #4(S) |
| 37 | 3338145 | 2 | HOSE-.50 AR 31" ST#8 ST#8 |

TILT STEERING ASSEMBLY

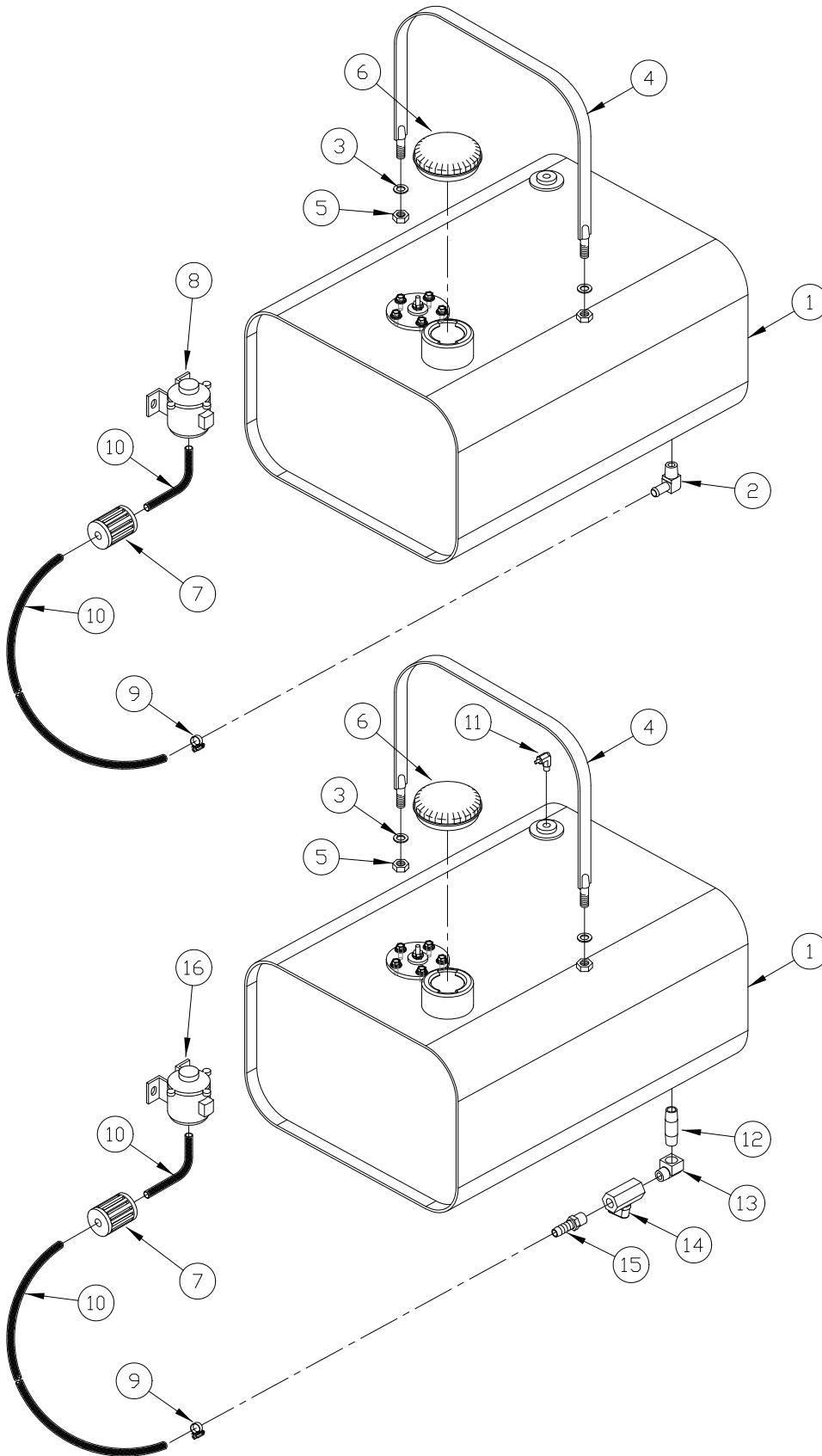


| TILT STEERING ASSEMBLY | | | |
|------------------------|----------|-----|-----------------------------------|
| ITEM | PART NO. | QTY | DESCRIPTION |
| 1 | 3338215 | 1 | WHEEL-STEERING W/COVER SW/6XV |
| 2 | 3343165 | 1 | COLUMN-STEERING TILT |
| 3 | 3400737 | 4 | SCREW-HEX M6 X 1.0 X 16 |
| 4 | 3400029 | 3 | SCREW-HEX, 3/8-16X1.25 ZP |
| 5 | 3400385 | 3 | WASHER-CONICAL SPRING 3/8 |
| 6 | 3338235 | 1 | WELD - TILT STEERING CONSOLE |
| 7 | 3330598 | 1 | STEERING UNIT-OSPM 100PB |
| 8 | 3338149 | 1 | HOSE-.25 AR 28.50" ST#6 45 #4(SL) |
| 9 | 3338155 | 1 | HOSE-.25 AR 33.50" ST#6 45 #4(SL) |
| 10 | 3338150 | 1 | HOSE-.25 AR 19.50" ST#6 45 #4(SL) |
| 11 | 3338152 | 1 | HOSE-.25 AR 33" #4-45 (SL) ST#6 |
| 12 | 3338151 | 1 | HOSE-.25 AR 34" ST#6 45 #4(SL) |

FUEL TANK - GAS AND DIESEL

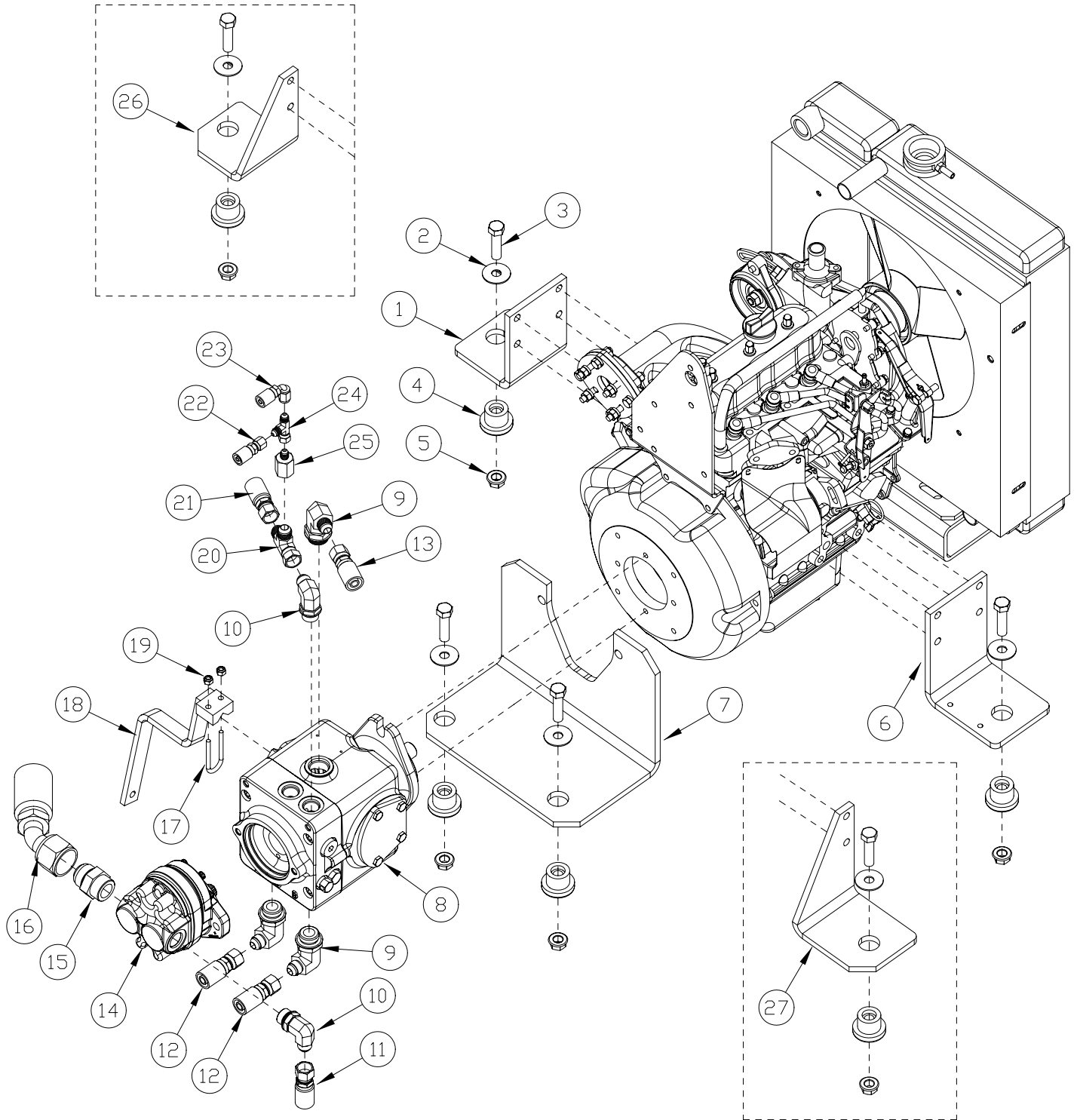
**CONFIGURATION FOR
GAS MODELS**

**CONFIGURATION FOR DIESEL
MODELS**



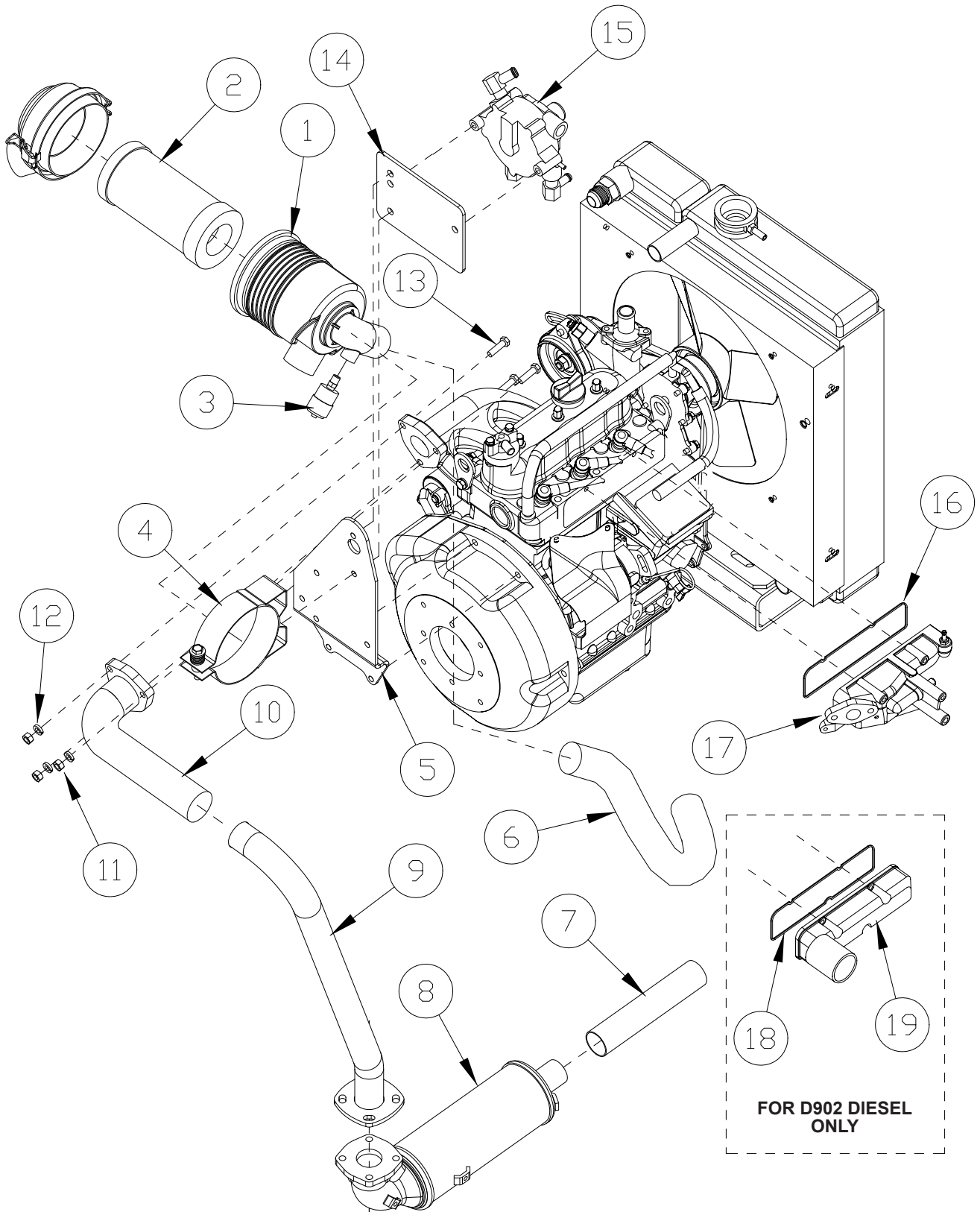
| FUEL TANK - GAS AND DIESEL | | | |
|----------------------------|----------|-----|--------------------------------|
| ITEM | PART NO. | QTY | DESCRIPTION |
| 1 | 3318386 | 1 | TANK—FUEL |
| 2 | 3400793 | 1 | FTG—90 DEG 3/8 BARB TO 1/4 NPT |
| 3 | 3400087 | 2 | WASHER-FLAT 3/8 STANDARD ZP |
| 4 | 3318401 | 1 | STRAP—FUEL TANK |
| 5 | 3400079 | 2 | NUT—HEX 3/8-16 ES ZP |
| 6 | 3300393 | 1 | CAP—GAS TANK |
| 7 | 3300417 | 1 | FILTER—FUEL |
| 8 | 3337634 | 1 | PUMP—FUEL (GASOLINE) |
| 9 | 3302338 | | CLAMP-HOSE .22 TO .62 |
| 10 | 3500104 | FT. | HOSE-NEOPRENE 5/16 ID |
| 11 | 3400657 | 1 | FTG—HOSE BARB 1/4 MPT-1/4 HOSE |
| 12 | 3400240 | 1 | FTG-NIPPLE 1/4 MPT |
| 13 | 3400260 | 1 | FTG-90 ELL 1/4 MPT TO 1/4 FPT |
| 14 | 3400499 | 1 | VALVE-MINATURE 1/4 FPT BALL |
| 15 | 3400261 | 1 | FTG-HOSE BARB 1/4 MPT TO 3/8 |
| 16 | 3309239 | 1 | PUMP—FUEL (DIESEL) |

ENGINE KUBOTA D902 DIESEL & DF752 LP/GAS - MOUNTING AND PUMPS



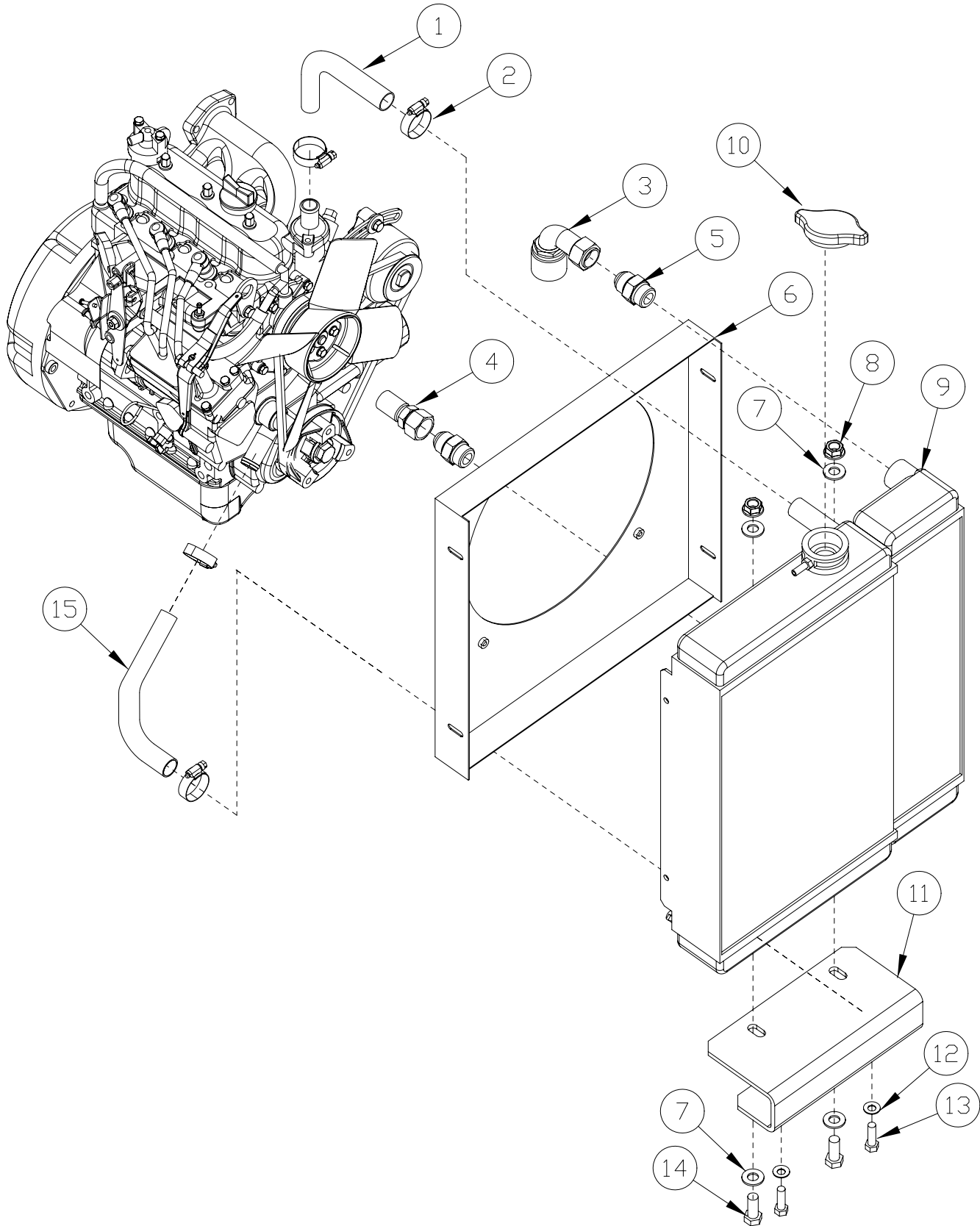
| ENGINE KUBOTA D902 DIESEL & DF752 LP/GAS - MOUNTING AND PUMPS | | | |
|---|----------|-----|---|
| ITEM | PART NO. | QTY | DESCRIPTION |
| 1 | 3335672 | 1 | MNT-RIGHT REAR (DIESEL KUBOTA D902 ONLY) |
| 2 | 3400020 | 4 | SCREW-HEX,1/2-13X2.00 ZP |
| 3 | 3400091 | 4 | WASHER-FENDER 1/2 ZP |
| 4 | 3300464 | 4 | ISOLATOR-RUBBER, 1.24 DIA X 1.25 LG |
| 5 | 3400395 | 4 | NUT-FLANGE LOCK 1/2-13 |
| 6 | 3335673 | 1 | MNT-LEFT REAR (DIESEL KUBOTA D902 ONLY) |
| 7 | 3336022 | 1 | MNT-FRONT (DIESEL KUBOTA D902 ONLY) |
| | 3336620 | 1 | MNT-ENGINE (LP/GAS KUBOTA DF752 ONLY) |
| 8 | 3336023 | 1 | PUMP-MAIN HYDRAULIC (6X) |
| 9 | 3338180 | 3 | FTG-1/2X3/4 90° ORING 37° MJIC |
| 10 | 3338155 | 2 | HOSE-.25 AR 33.50" ST#6 45 #4(SL) |
| 11 | 3318712 | 1 | HOSE-.50 AR 26" ST#8 ST#8 |
| 12 | 3307882 | 2 | HOSE-.50 AR 37.50" ST#8 90 #8(S) |
| 13 | 3338148 | 1 | HOSE-.375 AR 16.50" ST#8 90 #6(S) |
| 14 | 3338093 | 1 | GEAR PUMP-SW/6XV |
| 15 | 3400792 | 1 | FTG-ADPT #16 JIC >1.31-12 MALE |
| 16 | 3338142 | 1 | HOSE-1"AR 22" ST#16 45 #16(S) |
| 17 | 3336021 | 1 | U BOLT-1/4-20 DIRECTIONAL ARM |
| 18 | 3336642 | 1 | DIRECTIONAL ARM 6X |
| 19 | 3400081 | 2 | NUT-HEX 1/4-20 ES ZP |
| 20 | 3400250 | 1 | FTG-TEE SWIVEL 1/2 TUBE |
| 21 | 3338230 | 1 | HOSE-.50 AR 25" ST#8 90 #8(S) |
| 22 | 3318652 | 1 | HOSE-.25 AR 33.5" ST#4 ST#4 |
| 23 | 3307836 | 1 | HOSE-.25 AR 36" ST#4 90 #4(S) |
| 24 | 3306819 | 1 | FTG-TEE SWIVEL RUN #4 JIC ARMA |
| 25 | 3302408 | 1 | FTG-REDUCER TUBE END 8-4 |
| 26 | 3338122 | 1 | MNT-RIGHT REAR (LP/GAS KUBOTA DF752 ONLY) |
| 27 | 3338121 | 1 | MNT-LEFT REAR (LP/GAS KUBOTA DF752 ONLY) |

ENGINE KUBOTA D902 DIESEL & DF752 LP/GAS - AIR CLEANER & EXHAUST



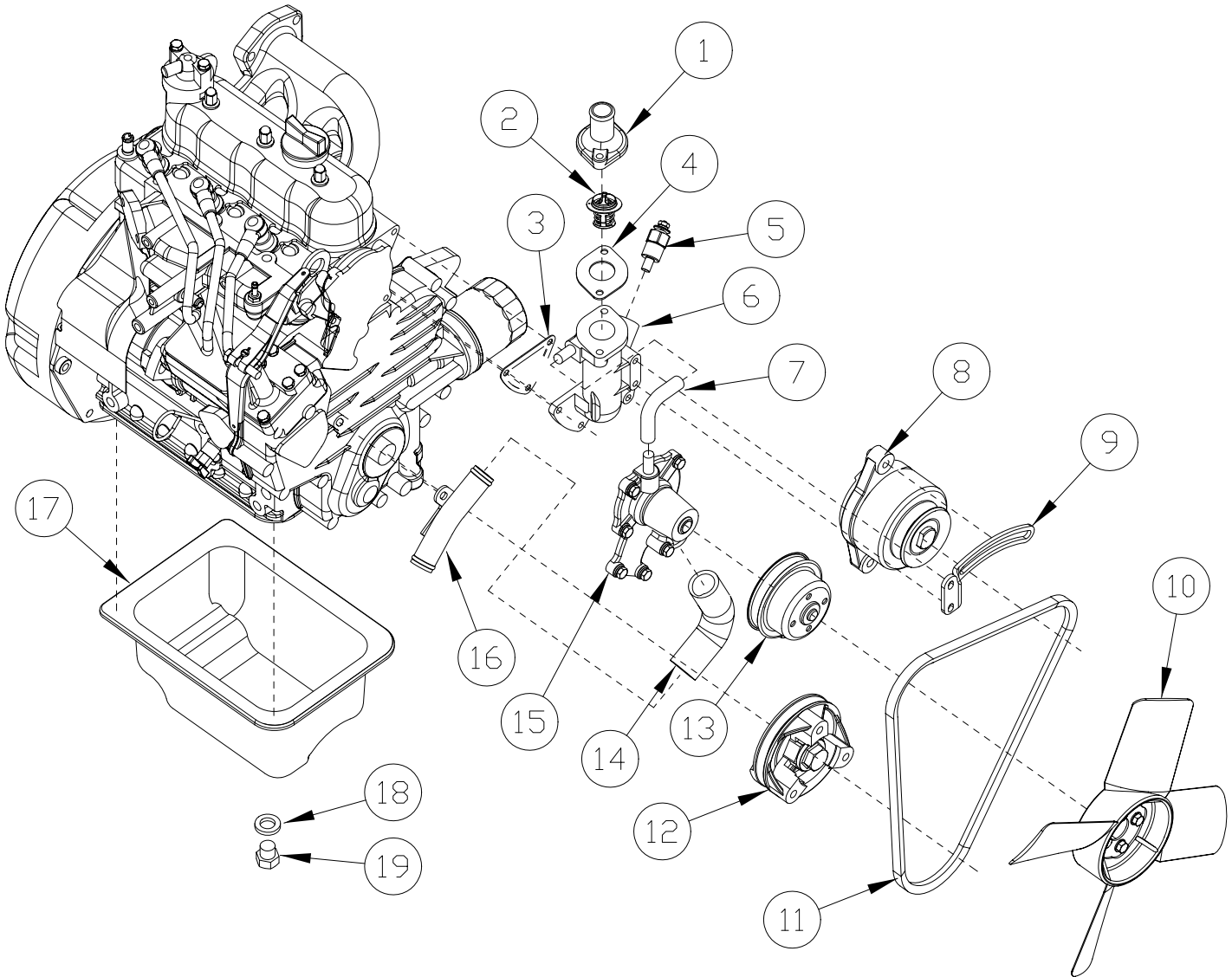
| ENGINE KUBOTA D902 DIESEL & DF752 LP/GAS - AIR CLEANER & EXHAUST | | | |
|--|----------|-----|--|
| ITEM | PART NO. | QTY | DESCRIPTION |
| 1 | 3335848 | 1 | AIR CLEANER ASSY (DIESEL KUBOTA D902 ONLY) |
| | 3331005 | 1 | AIR CLEANER ASSY (LP/GAS KUBOTA DF752 ONLY) |
| 2 | 3322572 | 1 | ELEMENT PRIMARY (DIESEL KUBOTA D902 ONLY) |
| | 3330677 | 1 | ELEMENT PRIMARY (LP/GAS KUBOTA DF752 ONLY) |
| 3 | 3335864 | 1 | INDICATOR-AIR CLEANER RESTRICT |
| 4 | | | |
| 5 | | | |
| 6 | | 1 | HOSE-AIR (DIESEL KUBOTA D902 ONLY) |
| | | 1 | HOSE-AIR (LP/GAS KUBOTA DF752 ONLY) |
| 7 | 3315317 | 1 | PIPE-EXTENSION SW/62 GAS/DSL |
| 8 | | | |
| 9 | 3338168 | 1 | ASSY- EXHAUST PIPE TO MUFFLER |
| 10 | | | |
| 11 | 3400070 | 3 | NUT-HEX 5/16-18 ZP |
| 12 | 3400102 | 3 | WASHER-LOCK 5/16 SPLIT ZP |
| 13 | 3400034 | 3 | SCREW-HEX,5/16-18X1.25 ZP |
| 14 | | 1 | BRACKET FUEL VAPORIZER (LP KUBOTA DF752 ONLY) |
| 15 | 3335717 | 1 | VAPORIZER (LP KUBOTA DF752 ONLY)UEL VAPORIZER (LP/GAS KUBOTA DF752 ONLY) |
| 16 | 3337635 | 1 | GASEKT-INTAKE MANIFOLD KUBOTA DF752 (PRIOR TO ENGINE SN 2S7883) |
| | 3337637 | 1 | GASEKT-INTAKE MANIFOLD KUBOTA DF752 (AFTER TO ENGINE SN 2U0001) |
| 17 | 3337636 | 1 | INTAKE MANIFOLD KUBOTA DF752 (PRIOR TO ENGINE SN 2S7883) |
| | 3337638 | 1 | INTAKE MANIFOLD KUBOTA DF752 (AFTER TO ENGINE SN 2U0001) |
| 18 | 3337639 | 1 | GASEKT-INTAKE MANIFOLD KUBOTA D902 |
| 19 | 3337640 | 1 | INTAKE MANIFOLD KUBOTA D902 |

ENGINE KUBOTA D902 DIESEL & DF752 LP/GAS - RADIATOR & FLUID COOLER



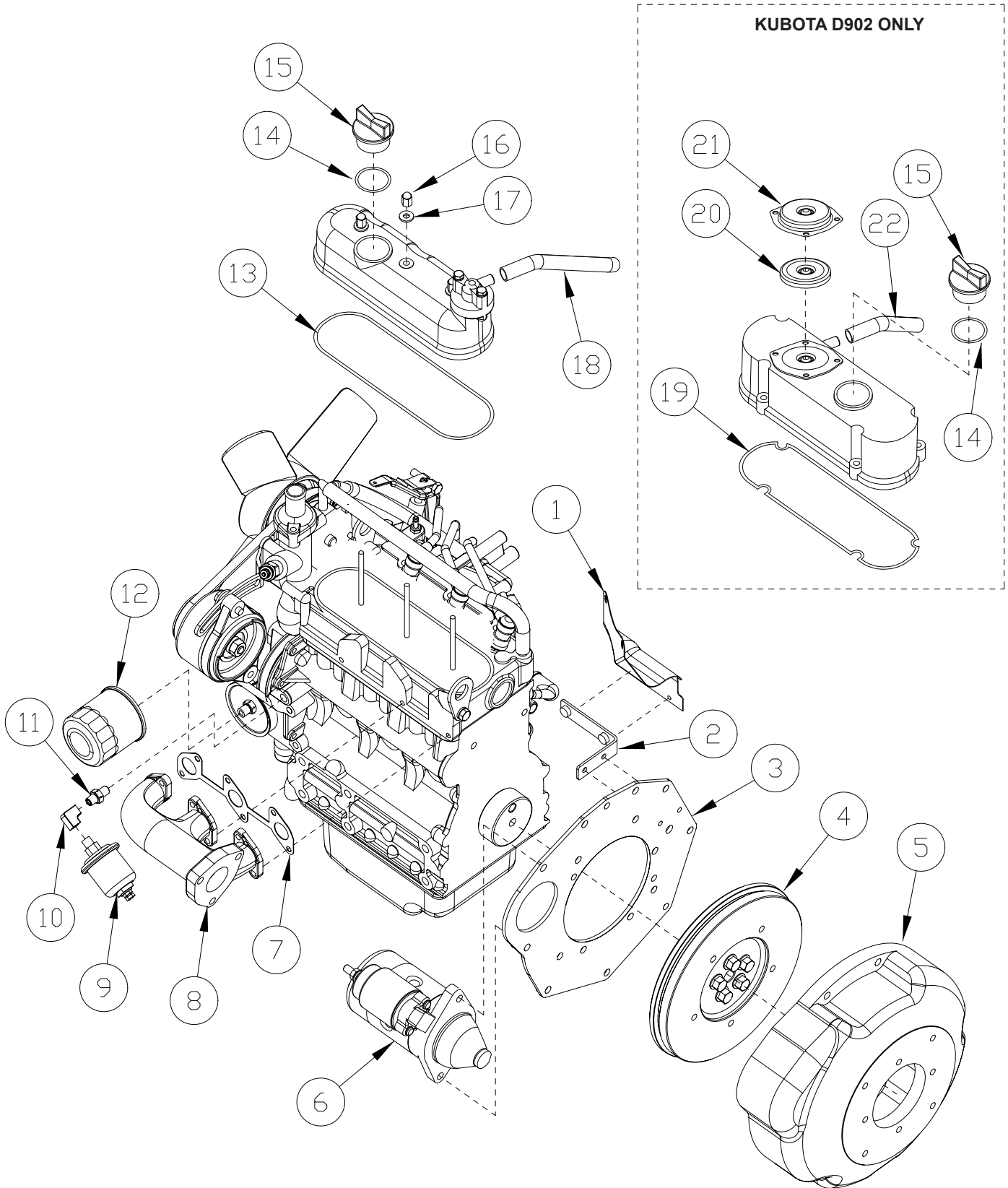
| ENGINE DIESEL KUBOTA D902 & LP/GAS KUBOTA DF752 - RADIATOR & FLUID COOLER | | | |
|--|-----------------|------------|--|
| ITEM | PART NO. | QTY | DESCRIPTION |
| 1 | 3335853 | 1 | HOSE-RADIATOR UPPER KUBOTA |
| 2 | 3302193 | 4 | CLAMP-HOSE 1.25 NOM |
| 3 | 3338143 | 1 | HOSE-.75 AR 66" ST#12 90 #12(S) |
| 4 | 3338144 | 1 | HOSE-.75 AR 69" ST#12 ST#12 |
| 5 | 3402002 | 2 | FTG-ADPT, STR, 1 1/16-12 STOR, #12 JIC |
| 6 | 3335833 | 1 | SHROUD-KUBOTA |
| 7 | 3400086 | 4 | WASHER-FLAT 1/2 STANDARD ZP |
| 8 | 3400395 | 2 | NUT-FLANGE LOCK 1/2-13 |
| 9 | 3335851 | 1 | RADIATOR-KUBOTA |
| 10 | 3336527 | 1 | RADIATOR CAP |
| 11 | 3335836 | 1 | MOUNT-RADIATOR KUBOTA |
| 12 | 3400385 | 2 | WASHER-CONICAL SPRING 3/8 |
| 13 | 3400029 | 2 | SCREW-HEX, 3/8-16X1.25 ZP |
| 14 | 3400022 | 2 | SCREW-HEX,1/2-13X1.25 ZP |
| 15 | 3318747 | 1 | KUBOTA-HOSE 90' WATER |

ENGINE KUBOTA D902 DIESEL & DF752 LP/GAS - ALTERNATOR, WATER PUMP, & FAN



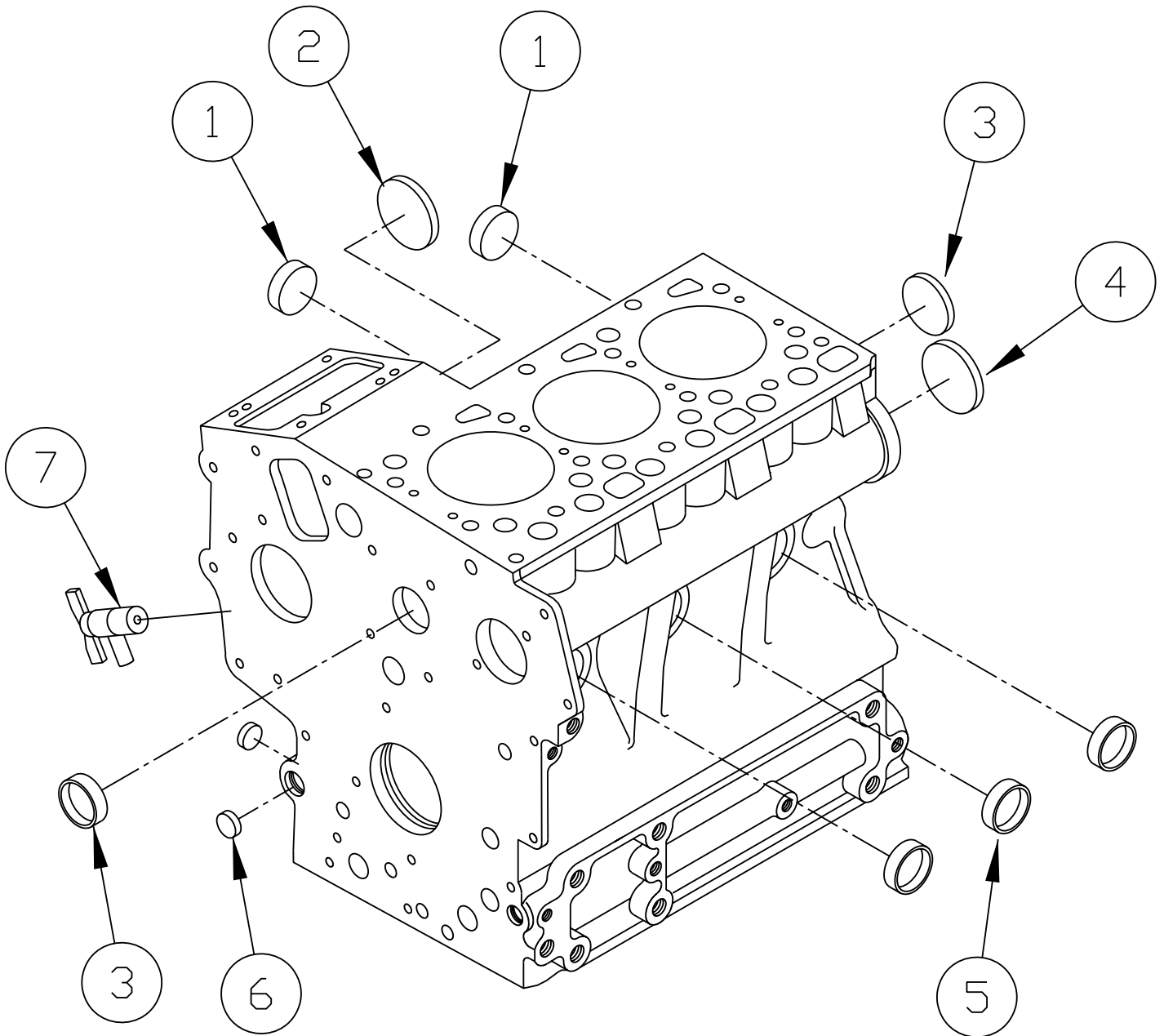
| ENGINE KUBOTA D902 DIESEL & DF752 LP/GAS - ALTERNATOR, WATER PUMP, & FAN | | | |
|---|-----------------|------------|--|
| ITEM | PART NO. | QTY | DESCRIPTION |
| 1 | 3337641 | 1 | COVER-THERMOSTAT KUBOTA DF752 |
| | 3337642 | 1 | COVER-THERMOSTAT KUBOTA D902 |
| 2 | 3309244 | 1 | THERMOSTAT-WATER (LP/GAS KUBOTA DF752 ONLY) |
| | 3335854 | 1 | THERMOSTAT-KUBOTA (DIESEL KUBOTA D902 ONLY) |
| 3 | 3333384 | 1 | GASKET WATER FLANGE |
| 4 | 3306601 | 1 | GASKET-THERMOSTAT KBA GAS (LP/GAS KUBOTA DF752 ONLY) |
| | 3338994 | 1 | GASKET THERMOSTAT (DIESEL KUBOTA D902 ONLY) |
| 5 | 3301441 | 1 | SENDER-TEMPERATURE A12,A15,& KUBOTA |
| 6 | 3337643 | 1 | WATER-FLANGE KUBOTA DF752 (INCLUDES ITEM 3) |
| | 3337644 | 1 | WATER-FLANGE KUBOTA D902 (INCLUDES ITEM 3) |
| 7 | 3337645 | 1 | WATER PIPE RETURN KUBOTA DF752 |
| | 3333408 | 1 | PIPE WATER RETURN (DIESEL KUBOTA D902 ONLY) |
| 8 | 3318755 | 1 | KUBOTA ALTERNATOR 40 AMP (LP/GAS KUBOTA DF752 ONLY) |
| | 3335849 | 1 | ALTERNATOR-KUBOTA (DIESEL KUBOTA D902 ONLY) |
| 9 | 3337646 | 1 | STAY-ALTERNATOR KUBOTA DF752-D902 |
| 10 | 3318745 | 1 | KUBOTA-FAN COOLING (LP/GAS KUBOTA DF752 ONLY) |
| | 3337647 | 1 | FAN-ENGINE (DIESEL KUBOTA D902 ONLY) |
| 11 | 3335913 | 1 | FAN-ALTERNATOR BELT KUBOTA |
| 12 | 3337648 | 1 | PULLEY FAN DRIVE KUBOTA DF752 |
| | 3337649 | 1 | PULLEY FAN DRIVE KUBOTA D902 |
| 13 | 3337650 | 1 | PULLEY FAN KUBOTA DF752-D902 |
| 14 | 3330129 | 1 | HOSE LWR WATER PMP (LP/GAS KUBOTA DF752 ONLY) |
| | 3337651 | 1 | WATER HOSE KUBOTA D902 |
| 15 | 3337373 | 1 | PUMP-WATER (LP/GAS KUBOTA DF752 ONLY) |
| | 3337652 | 1 | WATER PUMP KUBOTA D902 |
| 16 | 3337653 | 1 | PIPE-WATER KUBOTA DF752 |
| | 3337654 | 1 | PIPE-WATER KUBOTA D902 |
| 17 | 3337655 | 1 | OIL PAN KUBOTA DF752 |
| | 3337656 | 1 | OIL PAN KUBOTA D902 |
| 18 | 3337657 | 1 | GASKET KUBOTA DF752 |
| | 3337658 | 1 | GASKET KUBOTA D902 |
| 19 | 3303923 | 1 | PLUG-OIL PAN KUBOTA DF752 |
| | 3337702 | 1 | PLUG-OIL PAN KUBOTA D902 |

ENGINE KUBOTA D902 DIESEL & DF752 LP/GAS - STARTER, & EXHAUST MANIFOLD



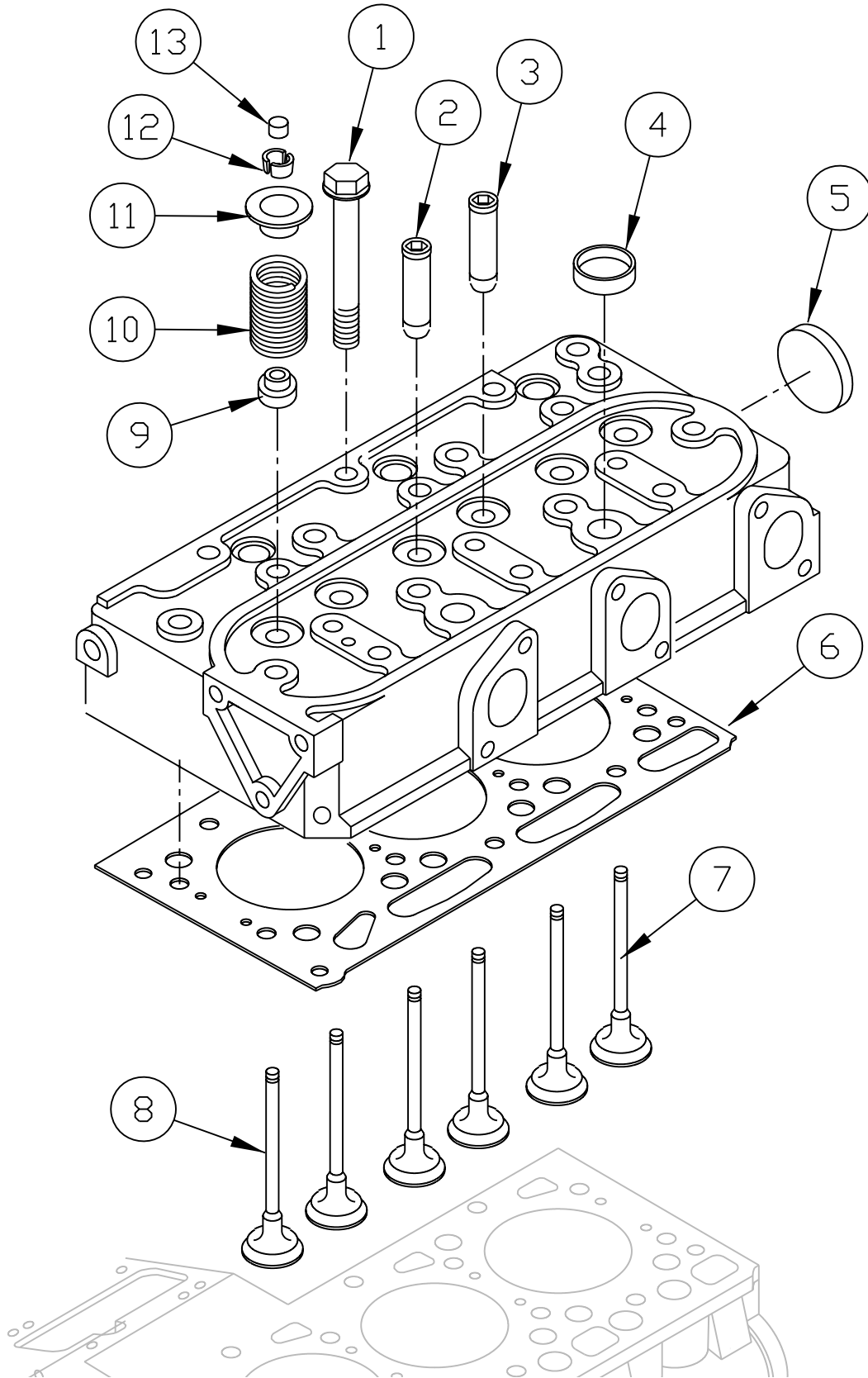
| ENGINE KUBOTA D902 DIESEL & DF752 LP/GAS - STARTER, & EXHAUST MANIFOLD | | | |
|--|----------|-----|---|
| ITEM | PART NO. | QTY | DESCRIPTION |
| 1 | | 1 | |
| 2 | 3337703 | 1 | SUPPORT-COVER KUBOTA DF752 ONLY |
| 3 | 3337704 | 1 | PLATE REAR END KUBOTA DF752 |
| | 3337705 | 1 | PLATE REAR END KUBOTA D902 |
| 4 | 3337706 | 1 | FLYWHEEL KUBOTA DF752 |
| | 3337707 | 1 | FLYWHEEL KUBOTA D902 |
| 5 | | 1 | |
| 6 | 3306594 | 1 | STARTER-KUBOTA GAS (LP/GAS KUBOTA DF752 ONLY) |
| | 3335850 | 1 | STARTER-KUBOTA 902 (DIESEL KUBOTA D902 ONLY) |
| 7 | 3333393 | 1 | GASKET (LP/GAS KUBOTA DF752 ONLY) |
| | 3337708 | 1 | GASKET-EXHAUST MANIFOLD KUBOTA D902 |
| 8 | 3337709 | 1 | MANIFOLD-EXHAUST KUBOTA DF752 |
| 9 | 3300387 | 1 | SENDER-OIL PRESSURE |
| 10 | 3301720 | 1 | FTG-90 ELL 1/8 FPT |
| 11 | 3305640 | 1 | FTG-NIPPLE 1/8BPT-1/8NPT BRASS |
| 12 | 3333388 | 1 | CARTRIDGE OIL FILTER |
| 13 | 3333401 | 1 | GASKET HEAD COVER KUBOTA DF752 |
| 14 | 3337710 | 1 | O-RING KUBOTA DF752-D902 |
| 15 | 3337711 | 1 | PLUG-OIL HEAD COVER KUBOTA DF752-D902 |
| 16 | 3331829 | 3 | NUT, CAP KUBOTA DF752 |
| 17 | 3331828 | 3 | GASKET KUBOTA DF752 |
| 18 | 3337712 | 1 | TUBE-BREATHING KUBOTA DF752 |
| 19 | 3337713 | 1 | GASKET-HEAD COVER KUBOTA D902 |
| 20 | 3334288 | 1 | BREATHING-VALVE KUBOTA D902 |
| 21 | 3334287 | 1 | COVER-BREATHING KUBOTA D902 |
| 22 | 3337714 | 1 | TUBE BREATHING KUBOTA D902 |

ENGINE KUBOTA D902 DIESEL & DF752 LP/GAS - BLOCK AND FREEZE PLUGS



| ENGINE KUBOTA D902 DIESEL & DF752 LP/GAS - BLOCK AND FREEZE PLUGS | | | |
|---|----------|-----|-----------------------------------|
| ITEM | PART NO. | QTY | DESCRIPTION |
| 1 | 3337715 | 2 | CAP SEALING KUBOTA DF752 |
| | 3337716 | 2 | CAP SEALING KUBOTA D902 |
| 2 | 3337717 | 1 | CAP SEALING KUBOTA D902 ONLY |
| 3 | 3310007 | 2 | PLUG-FREEZE KUBOTA DF752-D902 |
| 4 | 3337718 | 1 | CAP SEALING KUBOTA DF752-D902 |
| 5 | 3337719 | 3 | CAP SEALING KUBOTA DF752-D902 |
| 6 | 3337720 | 2 | CAP SEALING KUBOTA DF752-D902 |
| 7 | 3337721 | 1 | ASSY-COCK DRAIN KUBOTA DF752-D902 |

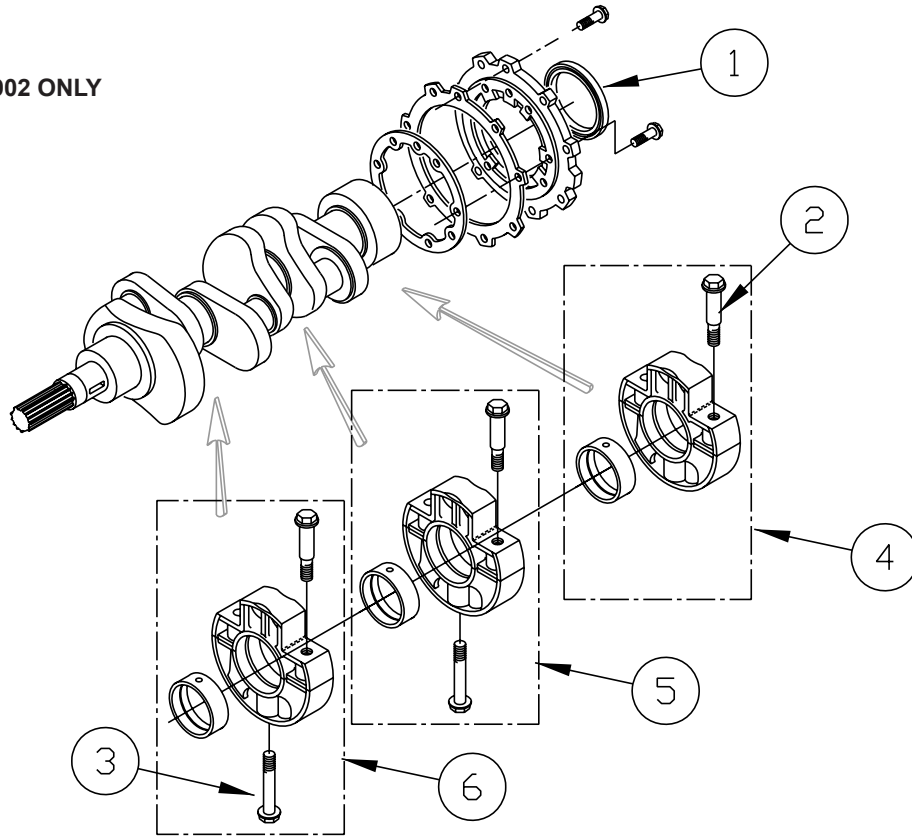
ENGINE KUBOTA D902 DIESEL & DF752 LP/GAS - CYLINDER HEAD AND VALVES



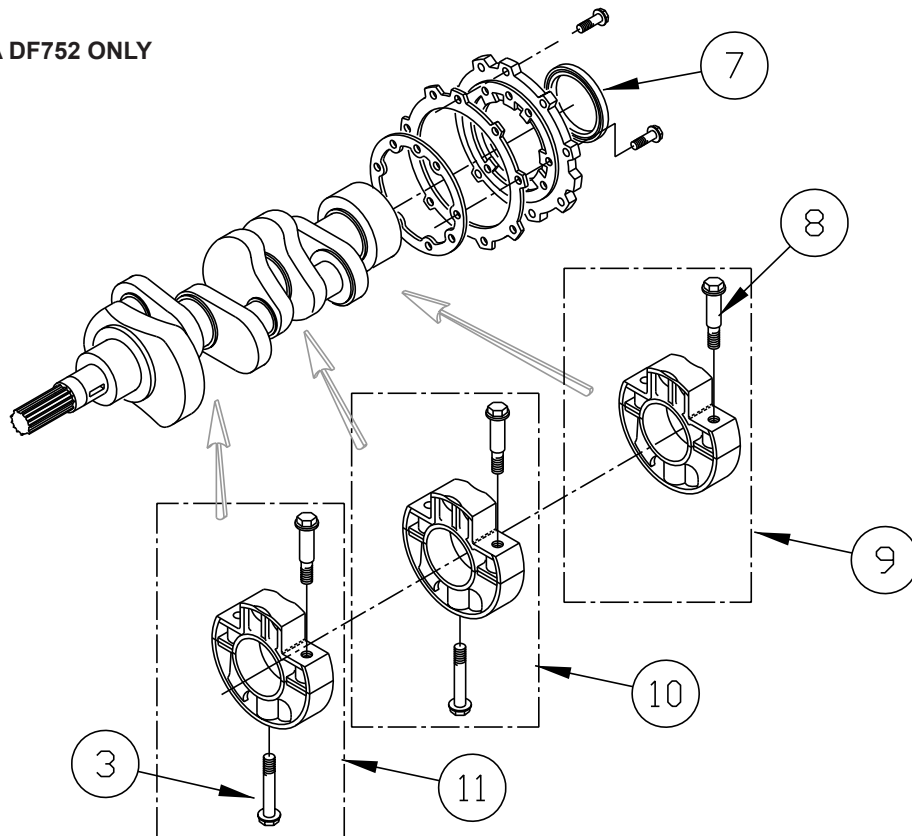
| ENGINE KUBOTA D902 DIESEL & DF752 LP/GAS - CYLINDER HEAD AND VALVES | | | |
|---|----------|-----|---------------------------------------|
| ITEM | PART NO. | QTY | DESCRIPTION |
| 1 | 3337722 | 14 | BOLT CYCLINDER HEAD KUBOTA DF752-D902 |
| 2 | 3333382 | 3 | GUIDE INLET VALVE KUBOTA DF752-D902 |
| 3 | 3333383 | 3 | GUIDE EXHAUST VALVE KUBOTA DF752-D902 |
| 4 | 3337723 | 2 | CAP SEALING KUBOTA DF752-D902 |
| 5 | 3337724 | 1 | CAP SEALING KUBOTA DF752-D902 |
| 6 | 3334669 | 1 | GASKET CYLINDER HEAD KUBOTA DF752 |
| | 3337725 | 1 | GASKET CYLINDER HEAD KUBOTA D902 |
| 7 | 3337726 | 3 | VALVE-EXHAUST KUBOTA DF752 |
| | 3337727 | 3 | VALVE-EXHAUST KUBOTA D902 |
| 8 | 3337728 | 3 | VALVE-INLET KUBOTA DF752 |
| | 3337729 | 3 | VALVE-INLET KUBOTA D902 |
| 9 | 3333845 | 6 | SEAL-VALVE STEM KUBOTA DF752-D902 |
| 10 | 3337730 | 6 | SPRING VALVE KUBOTA DF752-D902 |
| 11 | 3337731 | 6 | RETAINER SPRING KUBOTA DF752-D902 |
| 12 | 3337732 | 6 | COLLET,VALVE SPRING KUBOTA DF752-D902 |
| 13 | 3337733 | 6 | CAP,VALVE KUBOTA DF752-D902 |

ENGINE KUBOTA D902 DIESEL & DF752 LP/GAS - MAIN BEARING CASE

KUBOTA D902 ONLY

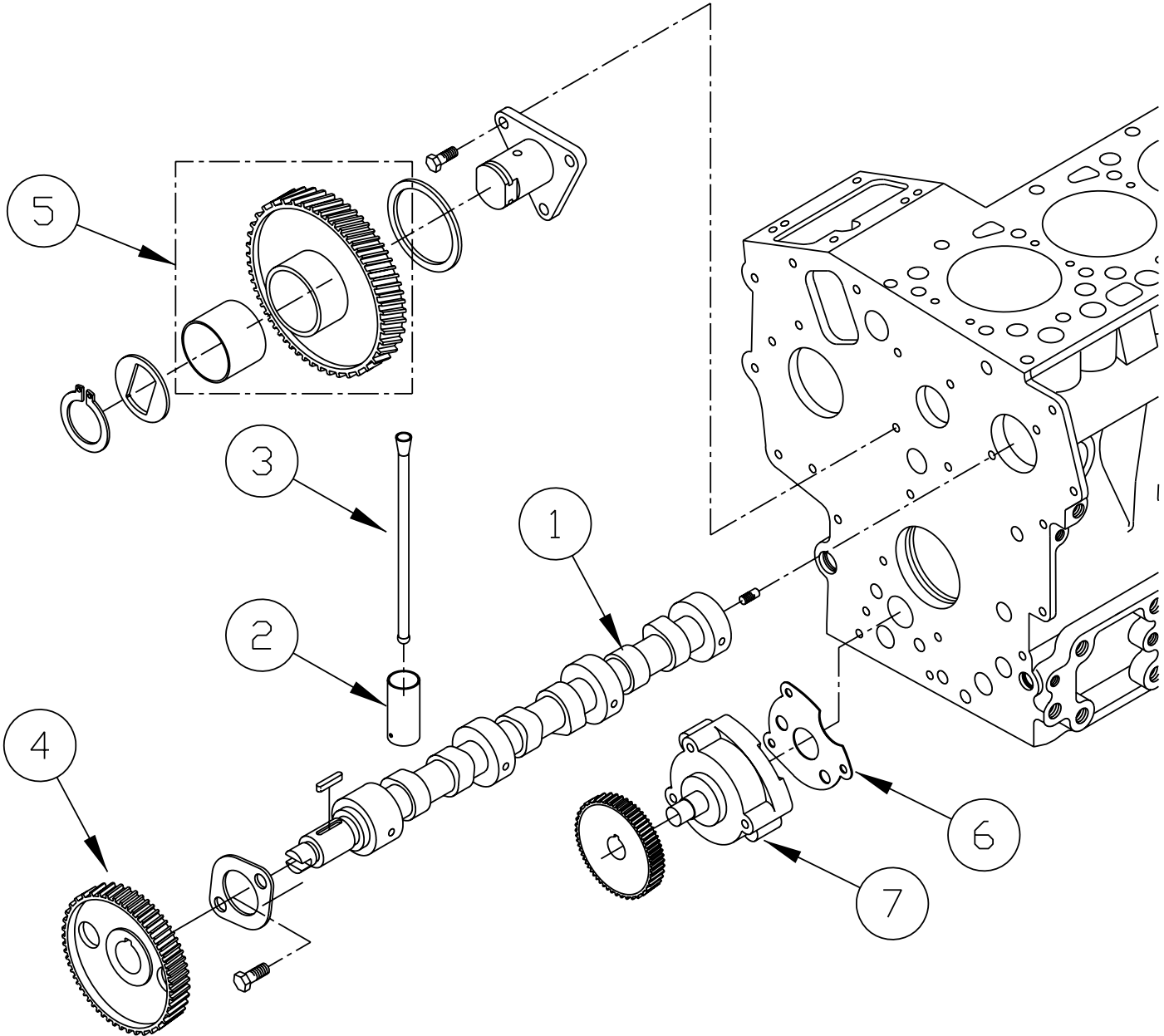


KUBOTA DF752 ONLY



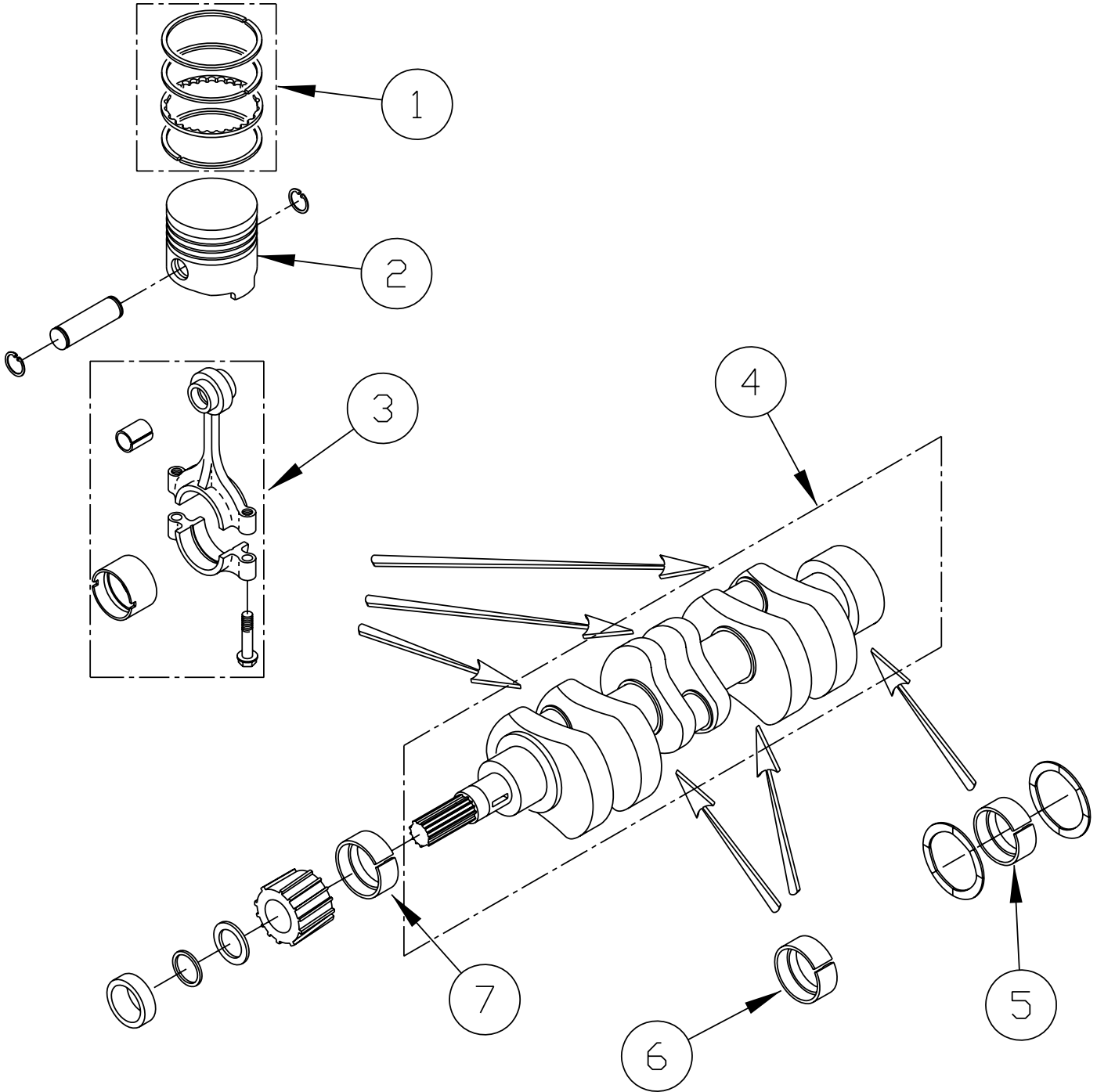
| ENGINE KUBOTA D902 DIESEL & DF752 LP/GAS - MAIN BEARING CASE | | | |
|---|-----------------|------------|-------------------------------------|
| ITEM | PART NO. | QTY | DESCRIPTION |
| 1 | 3337734 | 1 | SEAL,OIL KUBOTA D902 |
| 2 | 3337735 | 3 | BOLT,BEARING CASE KUBOTA D902 |
| 3 | 3337736 | 2 | BOLT,BEARING CASE KUBOTA D902 |
| 4 | 3337737 | 1 | ASSY BRG.CASE MAIN KUBOTA D902 |
| 5 | 3337738 | 1 | ASSY BRG.CASE,MAIN KUBOTA D902 |
| 6 | 3337739 | 1 | ASSY BRG.CASE,MAIN KUBOTA D902 |
| 7 | 3337740 | 1 | SEAL,OIL KUBOTA DF752 |
| 8 | 3337741 | 3 | BOLT,BEARING CASE KUBOTA DF752 |
| 9 | 3337742 | 1 | ASSY BRG.CASE MAIN KUBOTA DF752 |
| 10 | 3316538 | 1 | ASSY-CASE MAIN BEARING KUBOTA DF752 |
| 11 | 3316536 | 1 | ASSY-CASE MAIN BEARING KUBOTA DF752 |

ENGINE KUBOTA D902 DIESEL & DF752 LP/GAS - CAMSHAFT, IDLE & OIL PUMP



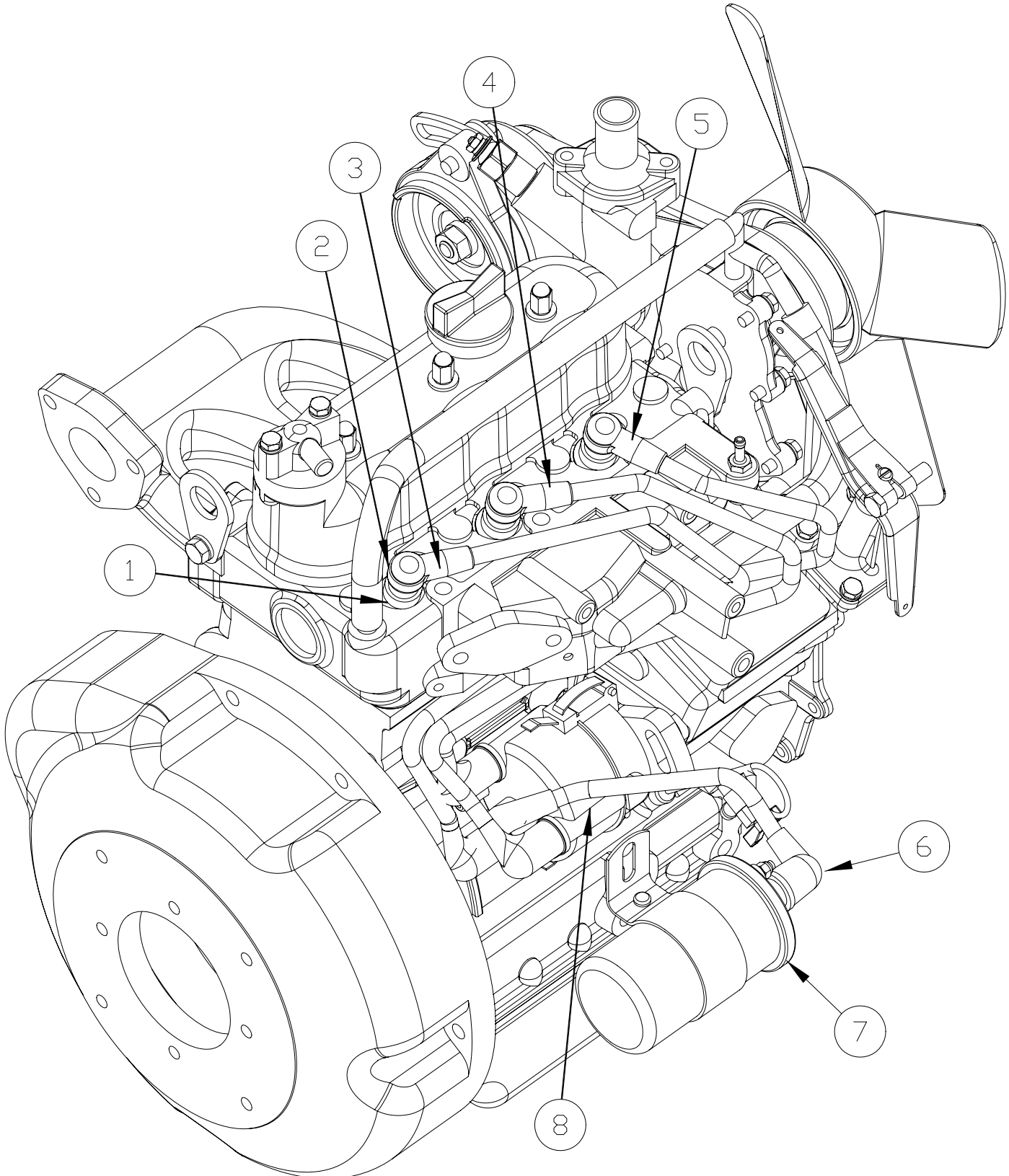
| ENGINE KUBOTA D902 DIESEL & DF752 LP/GAS - CAMSHAFT, IDLE & OIL PUMP | | | |
|---|-----------------|------------|-----------------------------------|
| ITEM | PART NO. | QTY | DESCRIPTION |
| 1 | 3337745 | 1 | ASSY CAMSHAFT KUBOTA DF752 |
| | 3337746 | 1 | ASSY CAMSHAFT KUBOTA D902 |
| 2 | 3337747 | 3 | TAPPET KUBOTA DF752-D902 |
| 3 | 3337748 | 3 | PUSH ROD KUBOTA DF752-D902 |
| 4 | 3337749 | 1 | GEAR,CAM KUBOTA DF752-D902 |
| 5 | 3337750 | 1 | GEAR,IDLE KUBOTA DF752-D902 |
| 6 | 3333405 | 1 | GASKET OIL PUMP KUBOTA DF752-D902 |
| 7 | 3337751 | 1 | ASSY PUMP OIL KUBOTA DF752-D902 |

ENGINE KUBOTA D902 DIESEL & DF752 LP/GAS - PISTON AND CRANKSHAFT



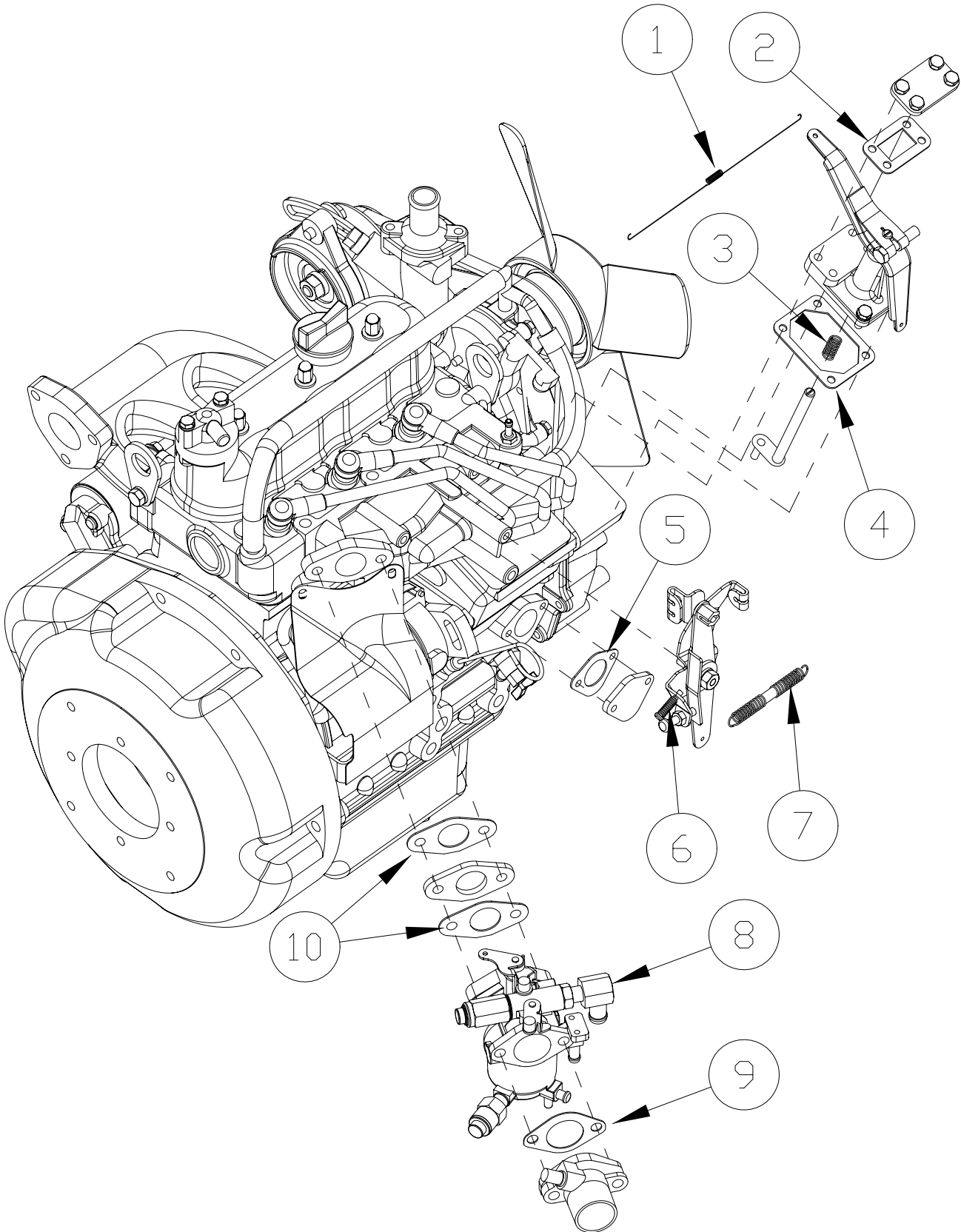
| ENGINE KUBOTA D902 DIESEL & DF752 LP/GAS - PISTON AND CRANKSHAFT | | | |
|--|----------|-----|---------------------------------------|
| ITEM | PART NO. | QTY | DESCRIPTION |
| 1 | 3337752 | 3 | ASSY PISTON RING KUBOTA DF752 STD |
| | 3337753 | 3 | ASSY PISTON RING KUBOTA DF752 +0.5MM |
| | 3337754 | 3 | ASSY PISTON RING KUBOTA D902 STD |
| | 3337755 | 3 | ASSY PISTON RING KUBOTA D902 +0.25MM |
| 2 | 3337756 | 3 | PISTON KUBOTA DF752 STD |
| | 3337757 | 3 | PISTON KUBOTA DF752 +0.5MM |
| | 3337758 | 3 | PISTON KUBOTA D902 STD |
| | 3337759 | 3 | PISTON KUBOTA D902 +0.25MM |
| 3 | 3337760 | 3 | ASSY ROD CONNECTING KUBOTA DF752-D902 |
| 4 | 3337761 | 1 | CRANKSHAFT KUBOTA DF752 |
| | 3337762 | 1 | CRANKSHAFT KUBOTA D902 |
| 5 | 3337763 | 1 | METAL CRANKSHAFT KUBOTA DF752 STD |
| | 3337764 | 1 | METAL CRANKSHAFT KUBOTA DF752 -0.2MM |
| | 3337765 | 1 | METAL CRANKSHAFT KUBOTA DF752 -0.4MM |
| | 3337766 | 1 | METAL CRANKSHAFT KUBOTA D902 STD |
| | 3337767 | 1 | METAL CRANKSHAFT KUBOTA D902 -0.2MM |
| | 3337768 | 1 | METAL CRANKSHAFT KUBOTA D902 -0.4MM |
| 6 | 3337769 | 2 | METAL CRANKSHAFT KUBOTA DF752 STD |
| | 3337770 | 2 | METAL CRANKSHAFT KUBOTA DF752 -0.2MM |
| | 3337771 | 2 | METAL CRANKSHAFT KUBOTA DF752 -0.4MM |
| | 3337772 | 2 | METAL CRANKSHAFT KUBOTA D902 STD |
| | 3337773 | 2 | METAL CRANKSHAFT KUBOTA D902 -0.2MM |
| | 3337774 | 2 | METAL CRANKSHAFT KUBOTA D902 -0.4MM |
| 7 | 3337775 | 1 | METAL CRANKSHAFT KUBOTA DF752 STD |
| | 3337776 | 1 | METAL CRANKSHAFT KUBOTA DF752 -0.2MM |
| | 3337777 | 1 | METAL CRANKSHAFT KUBOTA DF752 -0.4MM |
| | 3337778 | 1 | METAL CRANKSHAFT KUBOTA D902 STD |
| | 3337779 | 1 | METAL CRANKSHAFT KUBOTA D902 -0.2MM |
| | 3337780 | 1 | METAL CRANKSHAFT KUBOTA D902 -0.4MM |

ENGINE KUBOTA DF752 LP/GAS - DISTRIBUTOR AND SPARK PLUG



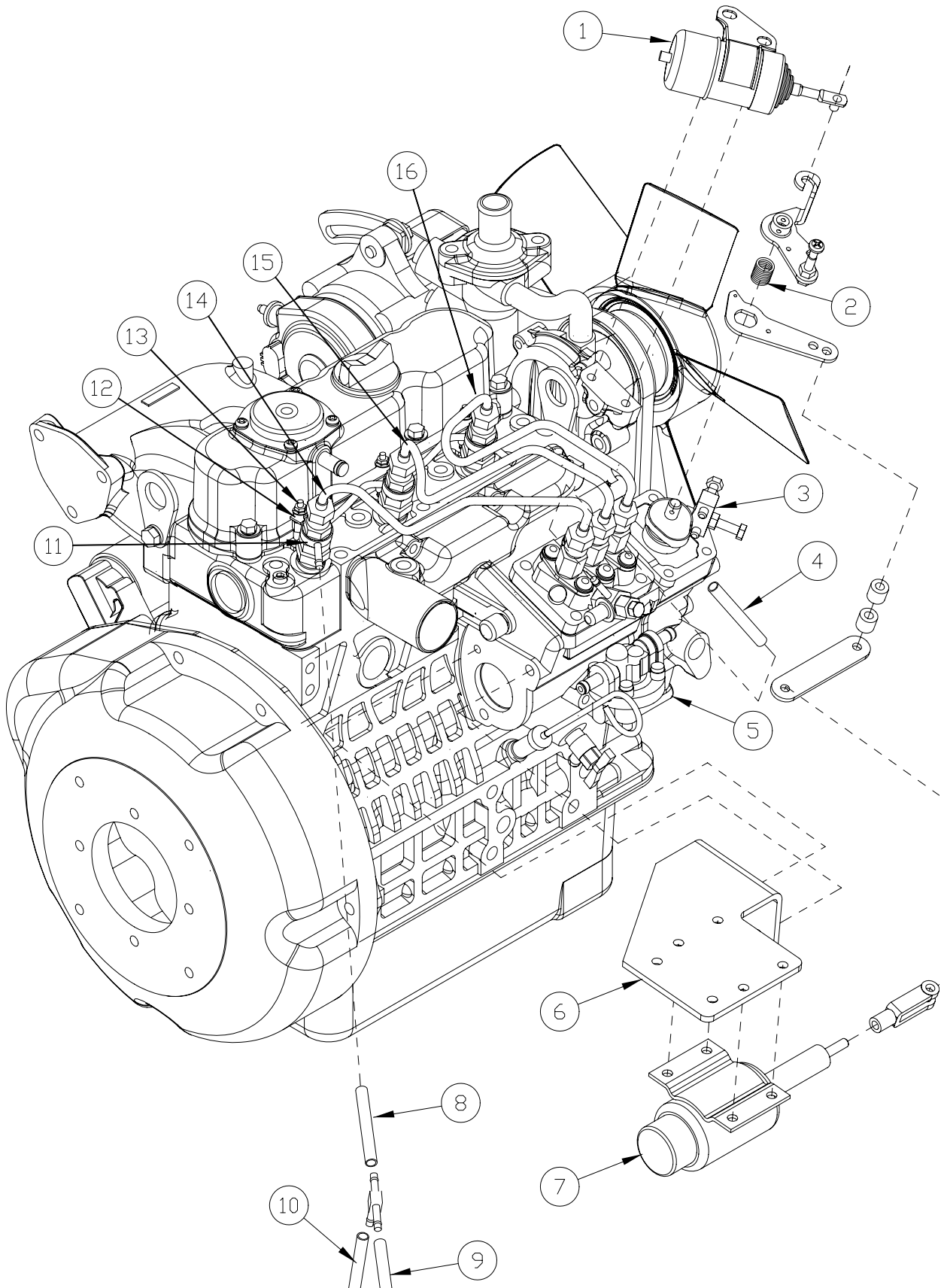
| ENGINE KUBOTA DF752 LP/GAS - DISTRIBUTOR AND SPARK PLUG | | | |
|--|-----------------|------------|------------------------------|
| ITEM | PART NO. | QTY | DESCRIPTION |
| 1 | 3337781 | 3 | CAP SPARK PLUG KUBOTA DF752 |
| 2 | 3306610 | 3 | PLUG-SPARK KUBOTA DF752 |
| 3 | 3335954 | 1 | WIRE-SPARK PLUG DF752 KUBOTA |
| 4 | 3335955 | 1 | WIRE-SPARK PLUG DF752 KUBOTA |
| 5 | 3335956 | 1 | WIRE-SPARK PLUG DF752 KUBOTA |
| 6 | 3318742 | 1 | KUBOTA-COIL WIRE DF752 |
| 7 | 3318746 | 1 | COIL IGNITION KUBOTA DF752 |
| 8 | 3334908 | 1 | DISTRIBUTOR KUBOTA DF752 |

ENGINE KUBOTA DF752 LP/GAS - CARBURETOR AND GOVERNOR



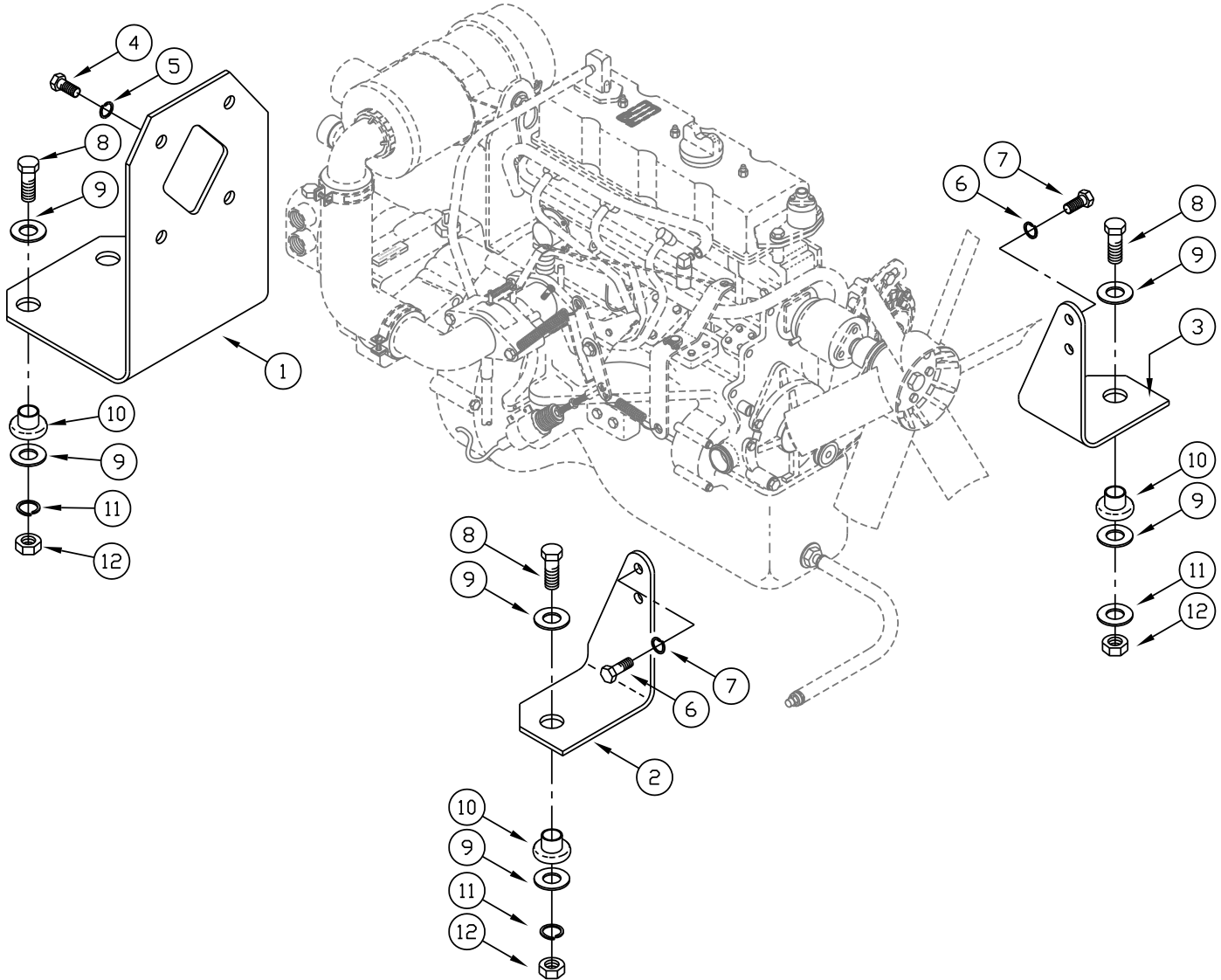
| ENGINE KUBOTA DF752 LP/GAS - CARBURETOR AND GOVERNOR | | | |
|---|-----------------|------------|------------------------------------|
| ITEM | PART NO. | QTY | DESCRIPTION |
| 1 | 3336725 | 1 | SPRING KUBOTA DF752 |
| 2 | 3337782 | 1 | GASKET GOVERNOR KUBOTA DF752 |
| 3 | 3337783 | 1 | SPRING GOVERNOR LEVER KUBOTA DF752 |
| 4 | 3337784 | 1 | GASKET CONTROL PLALE KUBOTA DF753 |
| 5 | 3330693 | 1 | GASKET FUEL PUMP KUBOTA DF752 |
| 6 | 3337785 | 1 | SPRING SPEED CONTL KUBOTA DF752 |
| 7 | 3336727 | 1 | ASSY - SPRING KUBOTA DF752 |
| 8 | 3332774 | 1 | CARBUERATOR KUBOTA DF752 |
| 9 | 3337786 | 1 | GASKET, AIR CLEANER KUBOTA DF752 |
| 10 | 3306632 | 1 | GASKET-CARBURETOR KUBOTA DF752 |

ENGINE KUBOTA D902 LP/GAS - FUEL SYSTEM



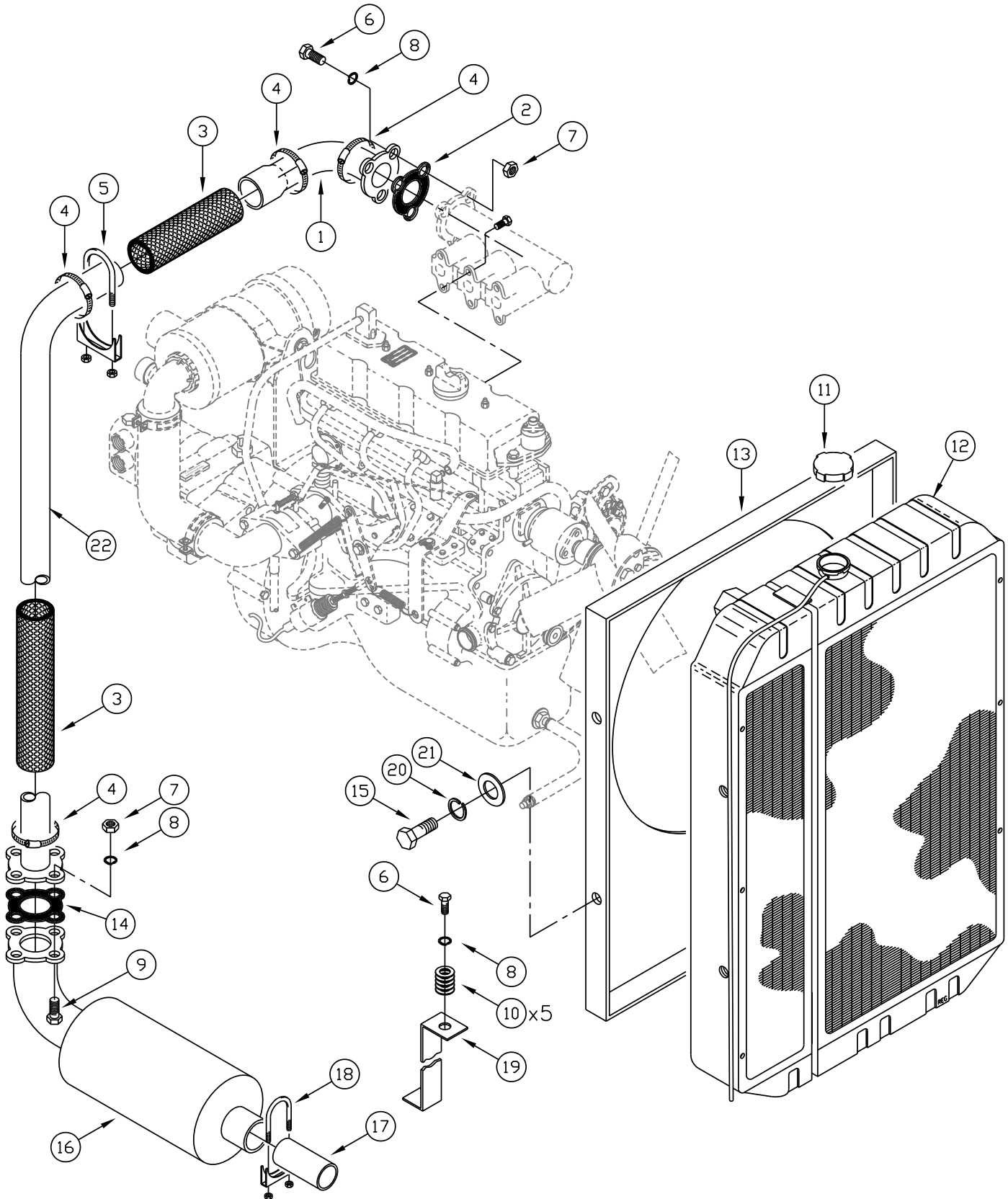
| ENGINE KUBOTA D902 LP/GAS - fuel system | | | |
|---|----------|-----|---|
| ITEM | PART NO. | QTY | DESCRIPTION |
| 1 | 3336098 | 1 | SOLENOID-SHUT DOWN KUBOTA D902 |
| 2 | 3337787 | 1 | SPRING RETURN SPEED CONTROL KUBOTA D902 |
| 3 | 3337788 | 1 | PLATE SPEED CONTROL KUBOTA D902 |
| 4 | 3337789 | 1 | FUEL PIPE KUBOTA D902 |
| 5 | 3337790 | 1 | FUEL PUMP KUBOTA D902 |
| * | 3330693 | 1 | GASKET -FUEL PUMP KUBOTA D902 |
| 6 | | 1 | |
| 7 | | 1 | |
| 8 | 3337791 | 1 | FUEL TUBE KUBOTA D902 |
| 9 | 3337792 | 1 | FUEL TUBE KUBOTA D902 |
| 10 | 3337793 | 1 | FUEL TUBE KUBOTA D902 |
| 11 | 3335855 | 3 | INJECTOR-KUBOTA 902 |
| 12 | 3337794 | 1 | CORD,GLOW PLUG KUBOTA D902 |
| 13 | 3329846 | 3 | PLUG, GLOW KUBOTA D902 |
| 14 | 3337795 | 1 | PIPE,INJECTION KUBOTA D902 |
| 15 | 3337796 | 1 | PIPE,INJECTION KUBOTA D902 |
| 16 | 3337797 | 1 | PIPE,INJECTION KUBOTA D902 |

ENGINE WG750 GAS - MOUNTINGS



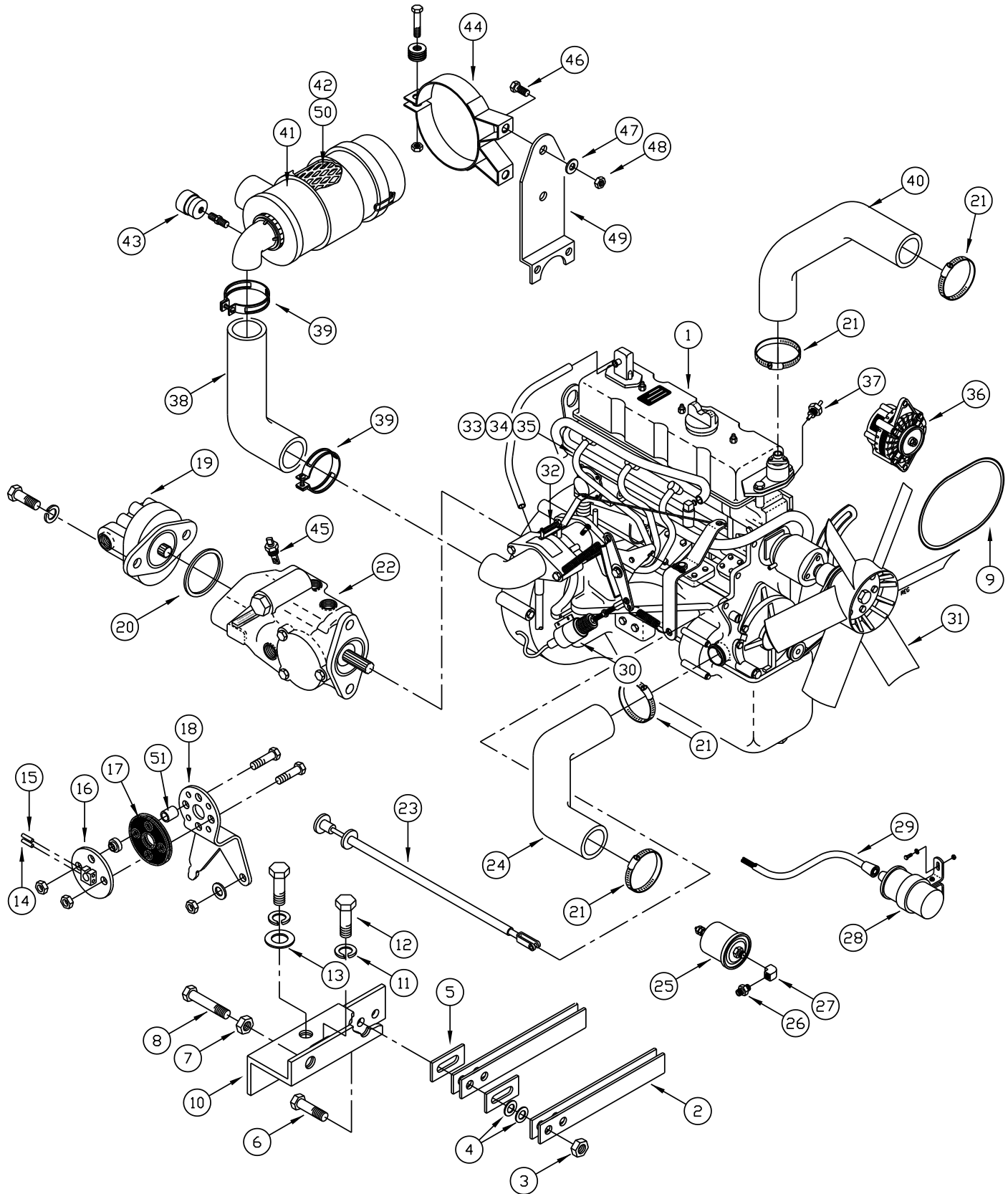
| ENGINE WG750 GAS - MOUNTINGS | | | |
|------------------------------|----------|-----|------------------------------|
| ITEM | PART NO. | QTY | DESCRIPTION |
| 1 | 3338124 | 1 | WELD—ENG MOUNT REAR WG750 |
| 2 | 3338122 | 1 | MOUNT—ENGINE RH WG750 KBA |
| 3 | 3338121 | 1 | MOUNT—ENGINE LH WG750 KBA |
| 4 | 3400030 | 4 | SCR—HEX,3/8-16X1.00 ZP |
| 5 | 3400101 | 4 | WASHER—LOCK 3/8 SPLIT ZP |
| 6 | 3400372 | 4 | SCR—HEX,10MMX1.25PX30MM (SP) |
| 7 | 3400099 | 4 | WASHER—LOCK 7/16 SPLIT ZP |
| 8 | 3400019 | 4 | SCR—HEX,1/2-13X2.50 ZP |
| 9 | 3400091 | 8 | WASHER—FENDER 1/2 ZP |
| 10 | 3300464 | 4 | MOUNT—ISOLATION |
| 11 | 3400098 | 4 | WASHER—LOCK 1/2 SPLIT ZP |
| 12 | 3400065 | 4 | NUT—HEX 1/2-13 ZP |

ENGINE WG750 GAS - RADIATOR AND EXHAUST SYSTEM



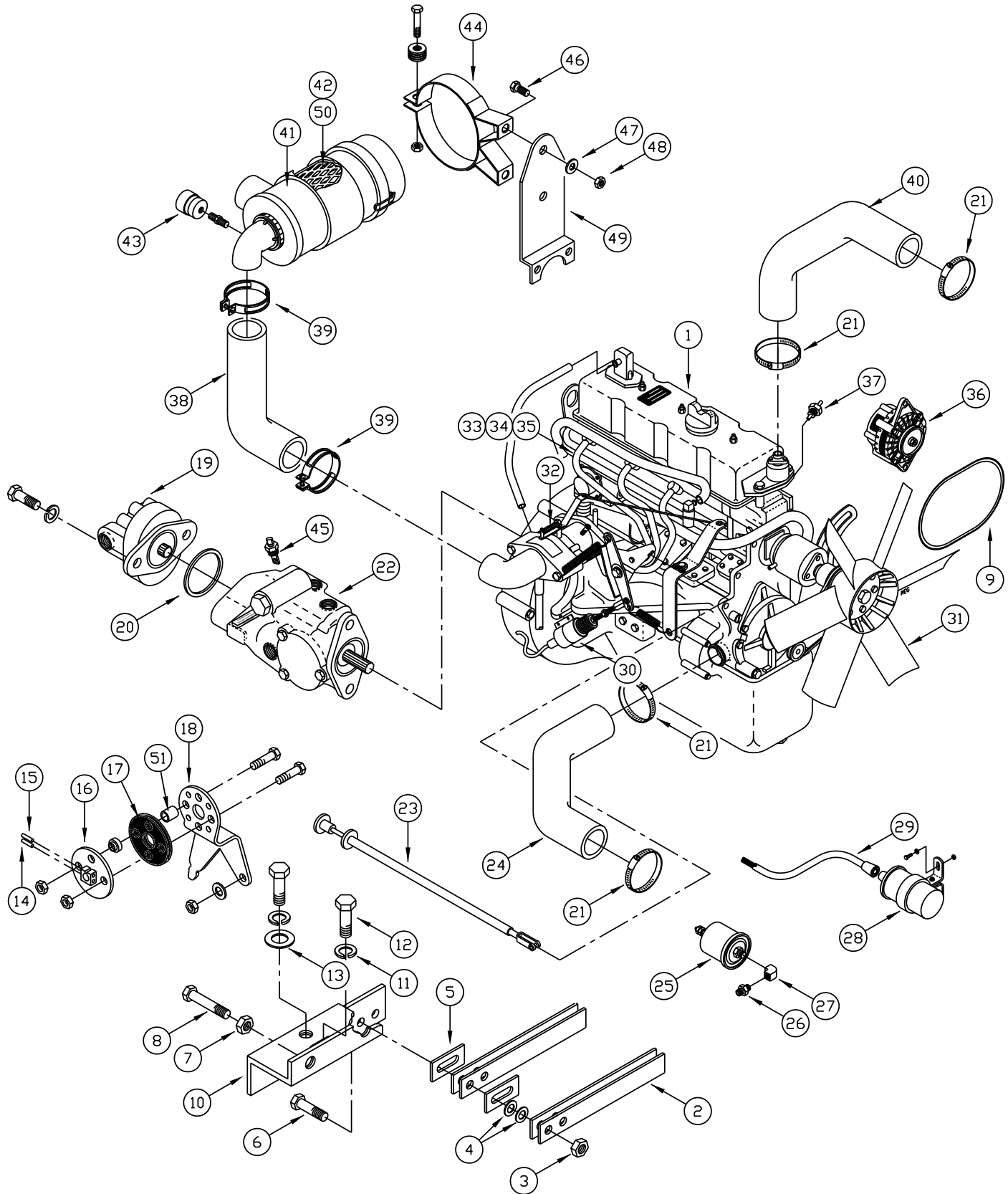
| ENGINE WG750 GAS - RADIATOR AND EXHAUST SYSTEM | | | |
|--|----------------|-----|---------------------------------|
| ITEM | PART NO. | QTY | DESCRIPTION |
| 1 | 3338127 | 1 | WELD—EXH PIPE MANIF 6X GAS |
| 2 | 3310021 | 1 | GASKET—EXH SW71 KBA GAS (SP) |
| 3 | 3312281 | 2 | EXHAUST—WRAP MANIFOLD TUBE |
| 4 | 3302193 | 4 | CLAMP—HOSE 1.25 NOM |
| 5 | 3301640 | 1 | CLAMP—EXHAUST 1 3/4 |
| 6 | 3400339 | 4 | SCREW-HEX,3/8-16X2.25 SS |
| 7 | 3400070 | 7 | NUT—HEX 5/16-18 ZP |
| 8 | 3400101 | 8 | WASHER—LOCK 3/8 SPLIT ZP |
| 9 | 3400035 | 4 | SCR—HEX,5/16-18X1.00 ZP |
| 10 | 3400278 | 5 | WASHER-FENDER 3/8 ZP |
| 11 | 3336527 | 1 | 9XN—RAD CAP |
| 12 | 3336103 | 1 | 9XN—RADIATOR/OIL COOLER |
| 13 | 3336522 | 1 | 9XN—RADIATOR SHROUD |
| 14 | PBK15371-12370 | 1 | GASKET—MUFFLER |
| 15 | 3400433 | 4 | SCR—HEX,1/4-20X2.50 ZP |
| 16 | 3316505 | 1 | MUFFLER—KBA WG750 (SP) |
| 17 | 3315317 | 1 | PIPE—EXTENSION SW/62 GAS/DSL |
| 18 | 3316508 | 1 | CLAMP—MUFLR/TAILOPIPE KBA 62-SP |
| 19 | 3318406 | 1 | BRKT—EXHAUST MOUNT SW/72 |
| 20 | 3400103 | 4 | WASHER—LOCK 1/4 SPLIT ZP |
| 21 | 3400089 | 4 | WASHER—FLAT 1/4 STANDARD ZP |
| 22 | 3338023 | 1 | PIPE EXH MANIF TO MUFFLER |
| | | | |
| | | | |
| | | | |
| | | | |
| | | | |
| | | | |
| | | | |
| | | | |
| | | | 34 |
| | | | |

ENGINE WG750 GAS - COMPONENTS



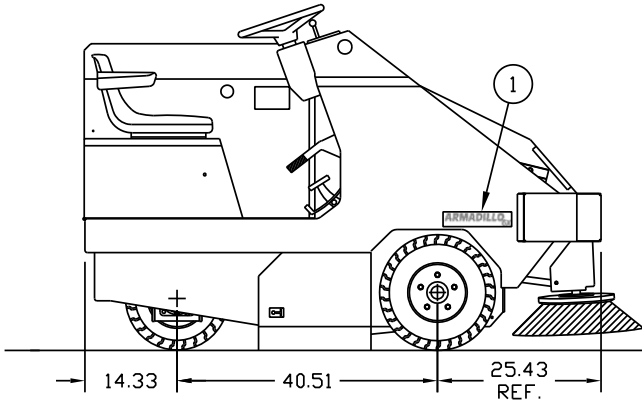
| ENGINE WG750 GAS - COMPONENTS | | | |
|-------------------------------|----------|-----|----------------------------------|
| ITEM | PART NO. | QTY | DESCRIPTION |
| 1 | 3338097 | 1 | POWERTRAIN—KUBOTA GAS |
| 2 | 3300543 | 4 | SPRING—RETURN |
| 3 | 3400081 | 2 | NUT—HEX 1/4-20 ES ZP |
| 4 | 3400089 | 4 | WASHER—FLAT 1/4 STANDARD ZP |
| 5 | 3303918 | 2 | SPACER—FWD / REV BRKT PLTD |
| 6 | 3400149 | 2 | SCR—HEX 1/4-20 X 1.50 ZP |
| 7 | 3400069 | 2 | NUT—HEX 5/16-24 ZP |
| 8 | 3400228 | 2 | SCR—HEX 5/16-24 X 1.5 ZP FULL TH |
| 9 | 3316296 | 1 | BELT-FAN 750 KBA GAS ENG (SP) |
| 10 | 3338015 | 1 | PLATE—DIR CONTROL ADJ |
| 11 | 3400102 | 2 | WASHER—LOCK 5/16 SPLIT ZP |
| 12 | 3400036 | 2 | SCR—HEX 5/15-18 X 0.75 ZP |
| 13 | 3400088 | 1 | WASHER—FLAT 5/16 STANDARD ZP |
| 14 | 3400173 | 1 | SCR—HEX 1/4-20 X 1.75 ZP |
| 15 | 3400027 | 1 | SCR—HEX 3/8-16 X 1.75 ZP |
| 16 | 3301544 | 1 | WELD—DISC FWD/REV PLTD |
| 17 | 3301507 | 1 | COUPLING—DIR CONTROL |
| 18 | 3338014 | 1 | PLATE—DIRECTIONAL CONTROL |
| 19 | 3338093 | 1 | GEAR PUMP—SW/6XV |
| 20 | 3303711 | 1 | O-RING STATIC SEAL 3.239 ID |
| 21 | 3302193 | 1 | CLAMP—HOSE 1.25 NOM |
| 22 | 3338090 | 1 | PUMP—MAIN HYD DRIVE SW6XV |
| 23 | 3313077 | 1 | CABLE—CHOKE SW/62 GAS |
| 24 | 3331363 | 1 | WG750 LOWER RAD HOSE GRIFFIN |
| 25 | 3300387 | 1 | SENDER—OIL PRESSURE |
| 26 | 3305640 | 1 | FTG—NIPPLE 1/8 RPT-1/8 NPT BRASS |
| 27 | 3301720 | 1 | FTG—90 EL 1/8 FPT |
| 28 | 3318746 | 1 | COIL IGNITION |
| 29 | 3318742 | 1 | COIL WIRE |
| 30 | 3330186 | 1 | WG750—SOLENOID THROTTLE LP4/98 |
| 31 | 3322163 | 1 | FAN BLADE—D722/D750 |
| 32 | 3318754 | 1 | CARBURETOR |
| 33 | 3318749 | 1 | WIRE #1 SPARK PLUG |
| 34 | 3318750 | 1 | WIRE # 2 SPARK PLUG |
| 35 | 3318751 | 1 | WIRE #3 SPARK PLUG |

ENGINE WG750 GAS - COMPONENTS (CONTINUED)

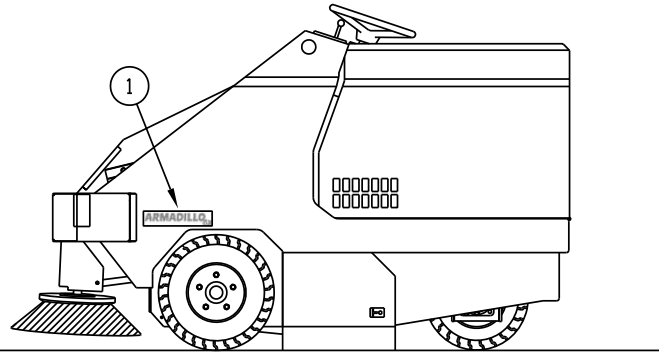


| ENGINE WG750 GAS - COMPONENTS | | | |
|-------------------------------|----------|-----|------------------------------|
| ITEM | PART NO. | QTY | DESCRIPTION |
| 36 | 3318755 | 1 | WG750—KUBOTA ALTERNATOR |
| 37 | 3301441 | 1 | SENDER—TEMP |
| 38 | 3331364 | 1 | HOSE—90 DEG AIR INTAKE |
| 39 | 3044112 | 1 | CLAMP—HOSE 2.50 MAX WORM |
| 40 | 3331362 | 1 | WG750 UPPER RAD HOSE GRIFFIN |
| 41 | 3331005 | 1 | WG750—AIR CLNR ASSY |
| 42 | 3330677 | 1 | WG750—ELEMENT (NEW) PRIMARY |
| 43 | 3303991 | 1 | INDICATOR—AIR CLEANER KIT |
| 44 | 3331360 | 1 | BAND-AIR CLEANER MNT SMALL |
| 45 | 3331367 | 1 | VALVE TOW OPTION |
| 46 | 3400036 | 2 | SCR—HEX,5/16-18X0.75 ZP |
| 47 | 3400102 | 2 | WASHER—LOCK 5/16 SPLIT ZP |
| 48 | 3400070 | 2 | NUT—HEX 5/16-18 ZP |
| 49 | 3331365 | 1 | BRKT AIR CLEANER MOUNT |
| 50 | 3330678 | 1 | WG750—ELEMENT (NEW) SAFETY |
| 51 | 3300339 | 4 | SLEEVE-SQ & FWD/REV |

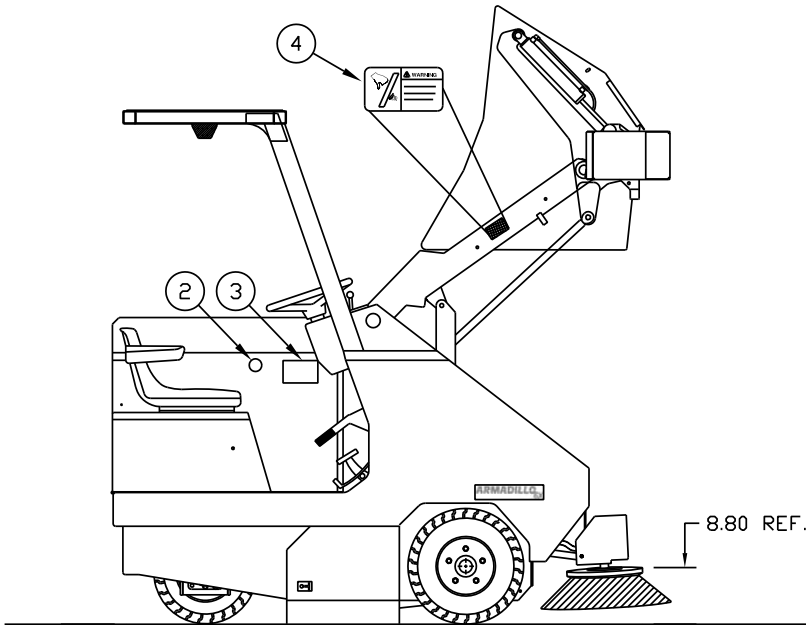
MISCELLANEOUS



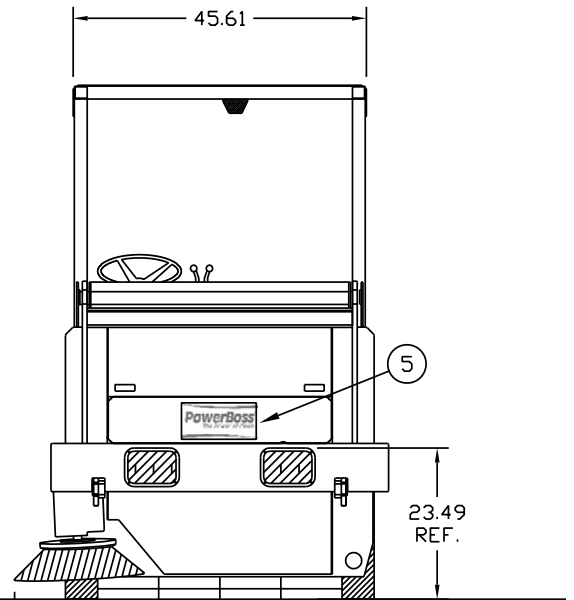
Right-Hand View



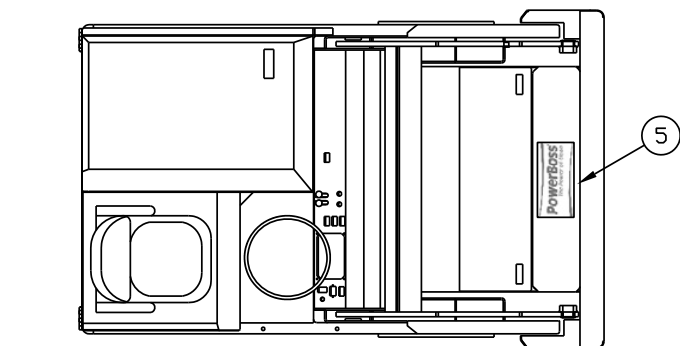
Left-Hand View



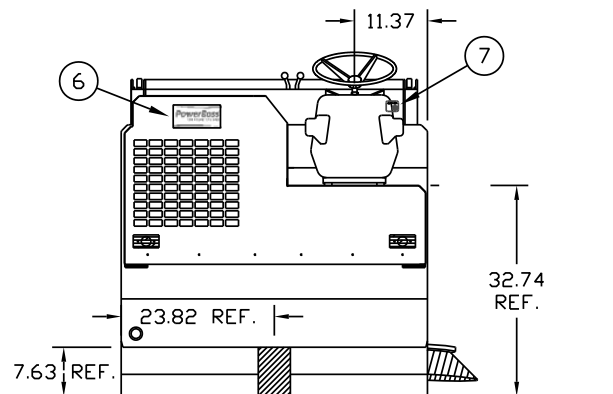
Lift View



Front View



Top View

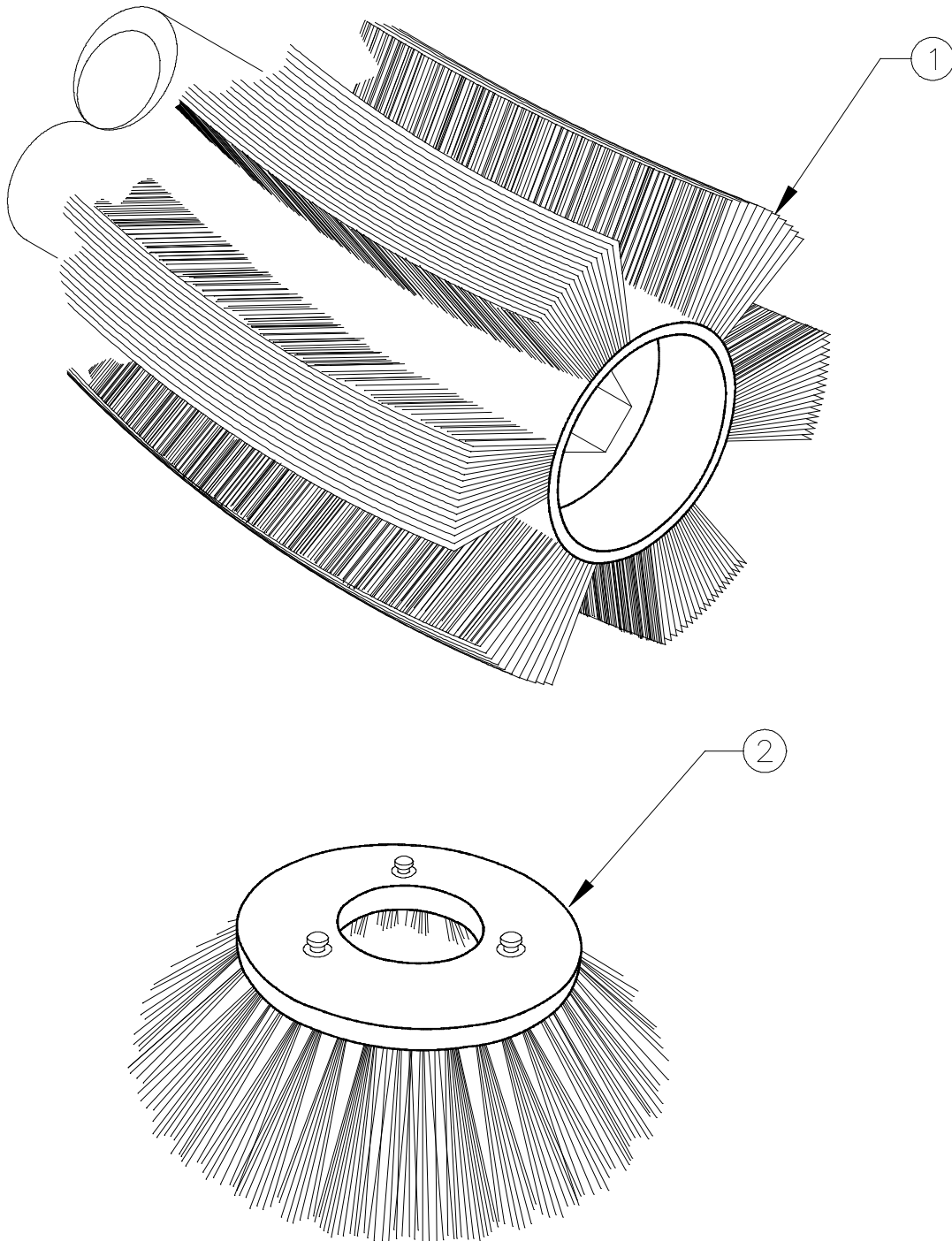


Rear View

| MISCELLANEOUS | | | |
|---------------|----------|-----|--|
| ITEM | PART NO. | QTY | DESCRIPTION |
| 1 | 3343876 | 2 | DECAL-ARMADILLO 6X |
| 2 | 3334827 | 1 | DECAL-MADE IN USA LEXAN, 1.75 DIA |
| 3 | 3301854 | 1 | DECAL-CAUTION, 5X4.50" |
| 4 | 3301732 | 1 | DECAL—WARNING HOPPER ARMS |
| 5 | 3334900 | 1 | DECAL-LARGE MACHINE POWERBOSS |
| 6 | 3334901 | 1 | DECAL-MEDIUM MACHINE POWERBOSS |
| 7 | 3307599 | 1 | DECAL-IGNITION SW/A |
| * | 3333298 | 1 | DECAL-SAFETY ARM (NOT SHOWN) |
| * | 3301733 | 2 | DECAL-WARNING FAN (RAD SHROUD) (NOT SHOWN) |
| * | 3301729 | 1 | DECAL-WARNING FAN INLET (IMP) (NOT SHOWN) |

MAIN AND SIDE BROOMS

Note: Side brooms also called curb brooms.



| MAIN AND SIDE BROOMS | | | |
|----------------------|----------|-----|--|
| ITEM | PART NO. | QTY | DESCRIPTION |
| 1 | 3300302 | 1 | 36" (91 CM) PROEX & WIRE (STANDARD) |
| | 3300304 | 1 | 36" (91 CM) HIGH DENSITY NYLON, BLACK |
| | 3300314 | 1 | 36" (91 CM) NYLON |
| | 3300316 | 1 | 36" (91 CM) PATROL (HERRINGBONE) |
| | 3300320 | 1 | 36" (91 CM) HIGH DENSITY NATURAL FIBER & WIRE |
| | 3315384 | 1 | 36" (91 CM) STIFF NYLON |
| | 3300324 | 1 | 36" (91 CM) MIXED WIRE & NATURAL FIBER |
| | 3300326 | 1 | 36" (91 CM) CRINKLE WIRE |
| 2 | 3300306 | 1 | 24" (61 CM) SIDE BROOM - POLY (BLACK) (STANDARD) |
| | 3300308 | 1 | 24" (61 CM) SIDE BROOM - NYLON (WHITE) (OPTIONAL) |

Main Broom User's Guide

Proex & Wire - Slightly encrusted soilage & dusty conditions. High heat.

High Density Nylon - Highly effective for small particle soilage. Severe dust environments.

Nylon - General purpose broom with long life bristles.

Natural Fiber & Wire - Good all around broom. Good for high heat applications.

Poly Proex - All purpose broom that stands up well on rough surfaces.

Crinkle Wire - Stiff bristles for compacted grime, oil, grease or mud. Fair to good broom life.

Side Broom User's Guide

Poly - Stiff bristles for aggressive sweeping of mainly heavy litter. Not suited for high heat.

Nylon - Provides longest life. Recommended for tough sweeping jobs.

WARRANTY

Revision G
Effective September 2010
PowerBoss Made Simple Industrial Limited Warranty

Minuteman International owner of PowerBoss warrants to the original purchaser/user that the product is free from defects in workmanship and materials under normal use. PowerBoss will, at its option, repair or replace without charge, parts that fail under normal use and service when operated and maintained in accordance with the applicable operation and instruction manuals. All warranty claims must be submitted through and approved by factory authorized repair stations.

This warranty does not apply to normal wear, or to items whose life is dependent on their use and care. Parts not manufactured by PowerBoss are covered by and subject to the warranties and/or guarantees of their manufacturers. Please contact Minuteman International for procedures in warranty claims against these manufacturers.

Special warning to purchaser -- Use of replacement parts not manufactured by PowerBoss or its designated licensees, will void all warranties expressed or implied. A potential health hazard exists without original equipment replacement.

All warranted items become the sole property of Minuteman International or PowerBoss or its original manufacturer, whichever the case may be.

PowerBoss disclaims any implied warranty, including the warranty of merchantability and the warranty of fitness for a particular purpose. PowerBoss assumes no responsibility for any special, incidental or consequential damages.

This limited warranty is applicable only in the U.S.A. and Canada, and is extended only to the original user/purchaser of this product. Customers outside the U.S.A. and Canada should contact their local distributor for export warranty policies. PowerBoss is not responsible for costs or repairs performed by persons other than those specifically authorized by PowerBoss. This warranty does not apply to damage from transportation, alterations by unauthorized persons, misuse or abuse of the equipment, use of non-compatible chemicals, or damage to property, or loss of income due to malfunctions of the product. If a difficulty develops with this machine, you should contact the dealer from whom it was purchased.

This warranty gives you specific legal rights, and you may have other rights, which vary from state to state. Some states do not allow the exclusion or limitation of special, incidental or consequential damages, or limitations on how long an implied warranty lasts, so the above exclusions and limitations may not apply to you.

| | Travel* | Labor | Parts | Engine | Extended Warranty | Costs |
|-----------------------|-------------|------------|----------------------|------------------------|---|-------|
| Walk behinds | | | | | | |
| Battery sweepers | Ninety days | One year | One year | N/A | 2 years Parts + Labor (or 2000 Hours) | 2% |
| IC sweepers | Ninety days | One year | One year | Through manufacturer | 2 years Parts + Labor (or 2000 Hours) | 2% |
| Battery scrubbers | Ninety days | Two years | Three years | N/A | 3 Years Parts + Labor (or 3000 Hours) | 2% |
| Riders | | | | | | |
| Battery scrubbers | Ninety days | Two years | Three years/2000 hrs | N/A | 3 Years Parts + Labor (or 3000 Hours) | 2% |
| IC sweeper/scrubbers | Ninety days | Six months | Two years/2000 hrs | Two years/3000 hrs** | 2 years Parts + Labor (or 2000 Hours) | 3% |
| IC sweepers | Ninety days | Six months | Four years/3000 hrs | Five years/3000 hrs** | 4 Years Parts + 2 Years Labor (or 4000 Hours) | 3% |
| Exceptions | | | | | | |
| Apex series sweeper | Ninety days | One year | One year/1000 hrs | One year/1000 hrs** | 2 years Parts + Labor (or 2000 Hours) | 3% |
| 6X sweeper | Ninety days | Six months | Two years/2000 hrs | Two years/2000 hours** | 2 years Parts + Labor (or 2000 Hours) | 3% |
| Other Products | | | | | | |
| QRE-3001A | Ninety days | Six months | Two years/2000 hrs | Two years/3000 hours** | 2 years Parts + Labor (or 2000 Hours) | 3% |

Tank Bladders Eight years/ no additional labor
Polyethylene plastic tanks Ten years/ no additional labor
Batteries 0-3 months full replacement, 4-12 prorated credit
Chargers One-year replacement
Replacement parts Ninety days
***Two-hour cap**

**Through engine manufacturer. See section 3 of warranty manual for engine warranty exceptions

*** Based upon dealer's certification status

Extended Warranty MUST be signed up within 30 days of delivery to End User (Dealer has 1Year from Receiving Machine to Sign up extended Warranty)

Extended Warranty Cost is based on Invoice Price multiplied by the Percentage listed in the Extended Warranty Column

All above labor and travel reimbursed at 65 or 75% of the published shop rate.



“The Power of Clean”

PowerBoss Is A Full Line Manufacturer Of Sweepers and Scrubbers For Industrial Facilities.

PowerBoss, Inc 175 Anderson Street P.O. Box 1227- Aberdeen North Carolina 28315

Phone: 800-982-7141 - Fax: 1-800-277-7141 Local: 910-944-2105 Fax: 910-944-7409 e-mail: techsupport@powerboss.com

A Member Of The Hako Group